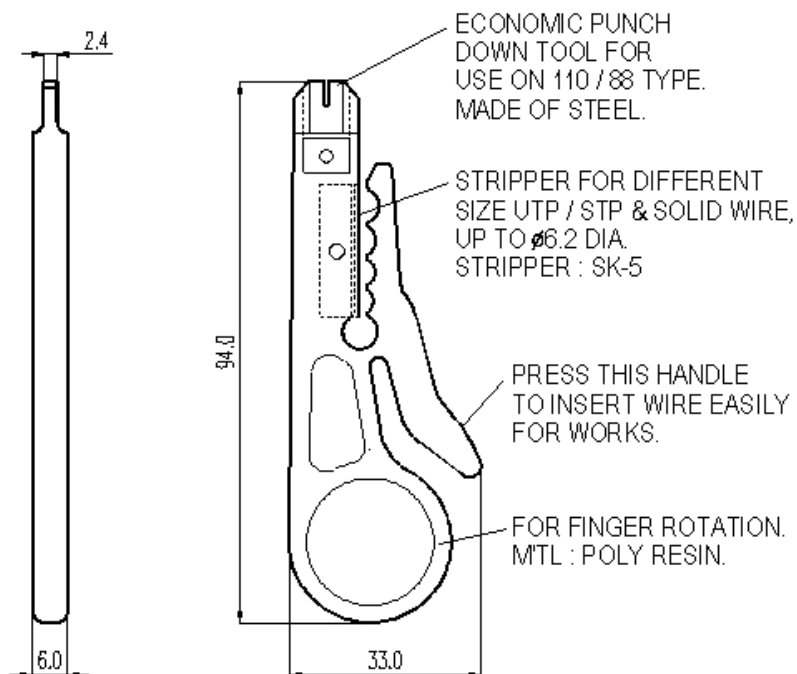




>> RP-PD318

Punch Down Tool with stripper for UTP/STP (88/110 type)



Specification

Functions	<ul style="list-style-type: none">• Punch down for use on 88/110 type terminal block• Stripper for different size UTP/STP & solid wire, up to $\phi 6.2$ dia.
Dimension	<ul style="list-style-type: none">• 6*33*94mm
Size	<ul style="list-style-type: none">• 5-$\phi 6.2$
Material	<ul style="list-style-type: none">• Pom-Poly-Resin

ORDERING INFORMATION

RP-PD318 Punch Down Tool with stripper for UTP/STP (88/110 type)