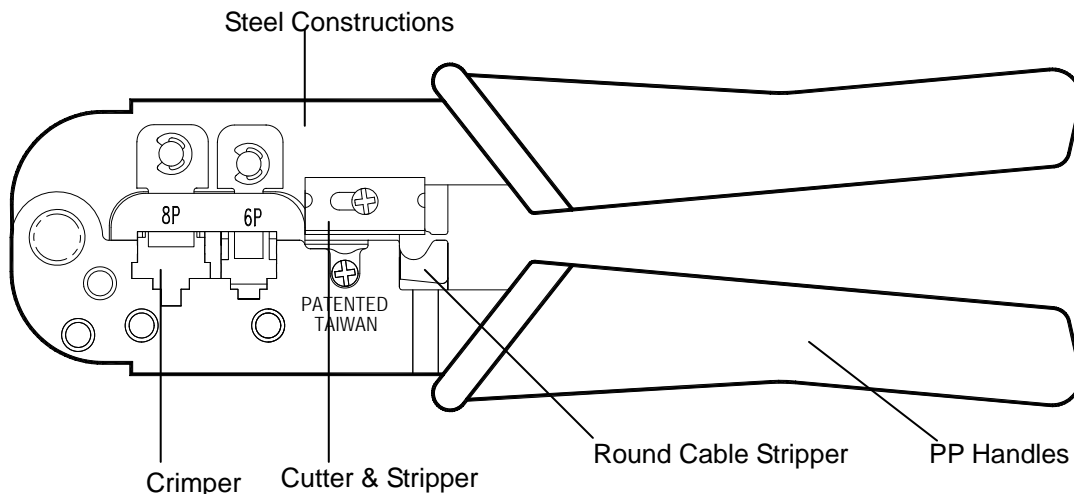




## >> RP-KKTA

Dual -Modular Tool for Plug Crimps, Strips (Flat & Round cable) & Cuts

- Dual-Modular Plug Crimps, Strips & Cuts for 8P8C/RJ-45, 6P6C/RJ12, 6P4C/RJ11 (Ratchet Type).
- Frame is made of steel, light weight Compact & durable w/ key way in 8P modular holder with ratchet mechanism.



## Specification

- **Function :**
  1. Available For 2 Kind Of Plugs
  2. Cutting And Stripping Wire By One Operation , Easy And Efficient.
  3. Light-Weight , Durable And Compact.
- **Length :** 7 1/2" (190±3mm)
- **Weight :** 290g
- **Material :** Low Carbon Steel with Harden.
- **Frame :** Black Oxide Finished
- **Replacement Blade**

## ORDERING INFORMATION

RP-KKTA Dual -Modular Tool for Plug Crimps, Strips (Flat & Round cable) & Cuts