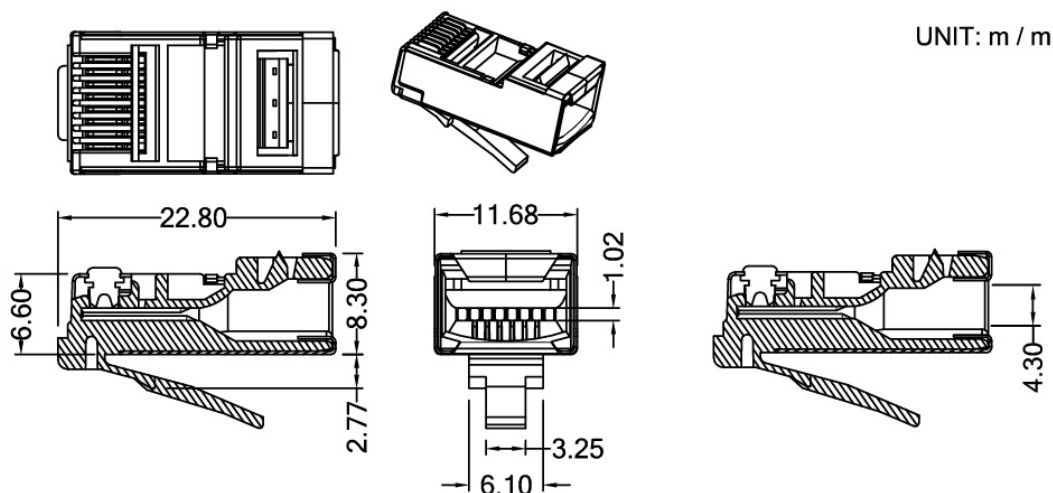
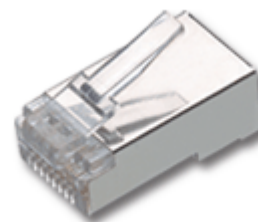


**RP-88C503S****Shielded modular plug UTP RJ-45 8P8C  
CAT.5e****MATERIAL & FINISH**

Body: PC. clean  
 Contact: copper alloy with gold plated.  
 Shield: copper alloy with nickel plated.  
 Gold Plating 03 $\mu$ "

**MECHANICAL SPECIFICATIONS**

Operating Temperature: -40°C to 85°C  
 Mating Cycles: 750 cycles min.

**ELECTRICAL SPECIFICATIONS**

Voltage: 125 VAC  
 Current: 1.5 A  
 Contact Resistance: 30 milliohms max.  
 Insulation Resistance: 500 megaohms min.  
 Dielectric Withstanding Voltage: 1000 VAC



2 prong for stranded and solid wire

**Ordering information**

**RP-88C503S**      Shielded modular plug UTP RJ-45 8P8C CAT.5e