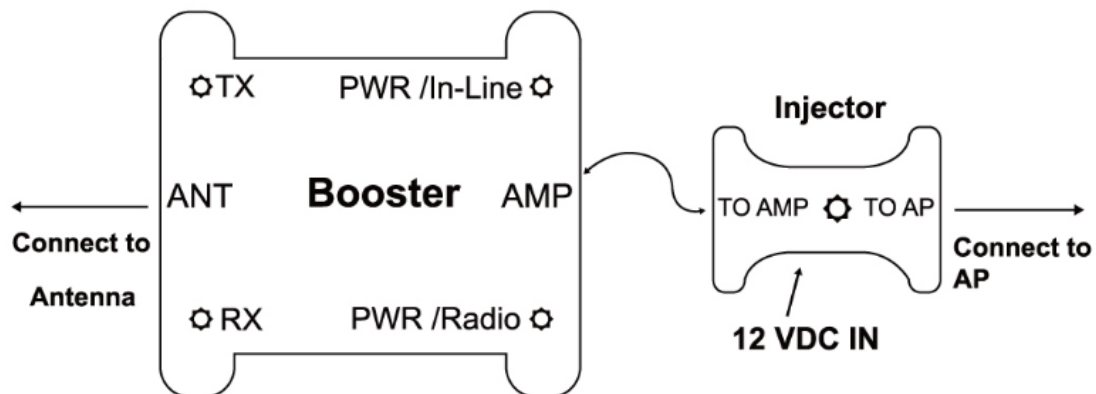


# Quick Installation Guide

## Wireless 2.4GHz Auto-Gain Booster

- 1. Connect the Booster to the Antenna and AP:**
  - Attach the antenna cable to the "ANT" port on the Booster.
  - Connect the "AMP" port of the Booster to the "TO AMP" port of the Injector.
- 2. Connect the Injector to the Access Point (AP):**
  - Attach the "TO AP" port of the Injector to your wireless Access Point (AP) using the appropriate cable.
- 3. Power the System:**
  - Plug the power adapter into the "12 VDC IN" port on the Injector.
  - Connect the adapter to a power outlet.
- 4. Check LED Indicators:**
  - Ensure the "RX" & "PWR/Radio" & "PWR/In-Line," and "Injector" LEDs are illuminated to confirm power is on.
  - The "Tx" LED (RED) will flash when the system operates correctly.



- Rx & PWR / Radio & PWR / In-Line & Injector LEDs will be turned on when Power on
- Tx(RED LED)will flash when system operates well