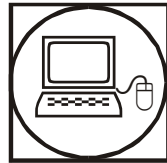
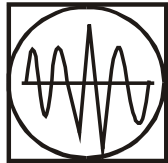


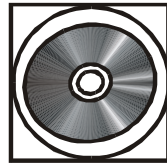
Emergency Backup Power Supply



For Use With Computer Loads Only



Power Surge/Noise Protection



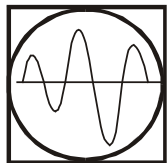
Intelligent Auto-Shutdown Software



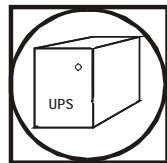
Internet Line Protection



Cost Efficiency

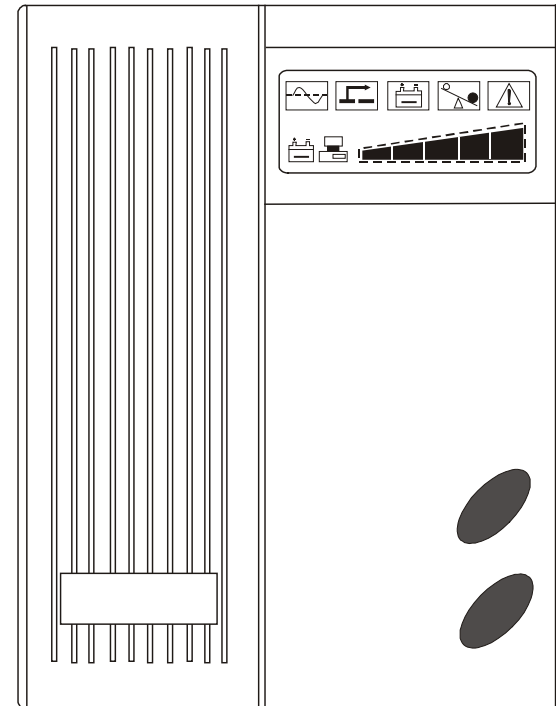


AVR Protection



Compact & Reliable Design

USER'S MANUAL



1st Edition

Uninterruptible Power System

IMPORTANT SAFETY INSTRUCTIONS

Thank you for selecting this uninterruptible power system (UPS). It provides you with better protection for connected equipment.

Please read this manual !

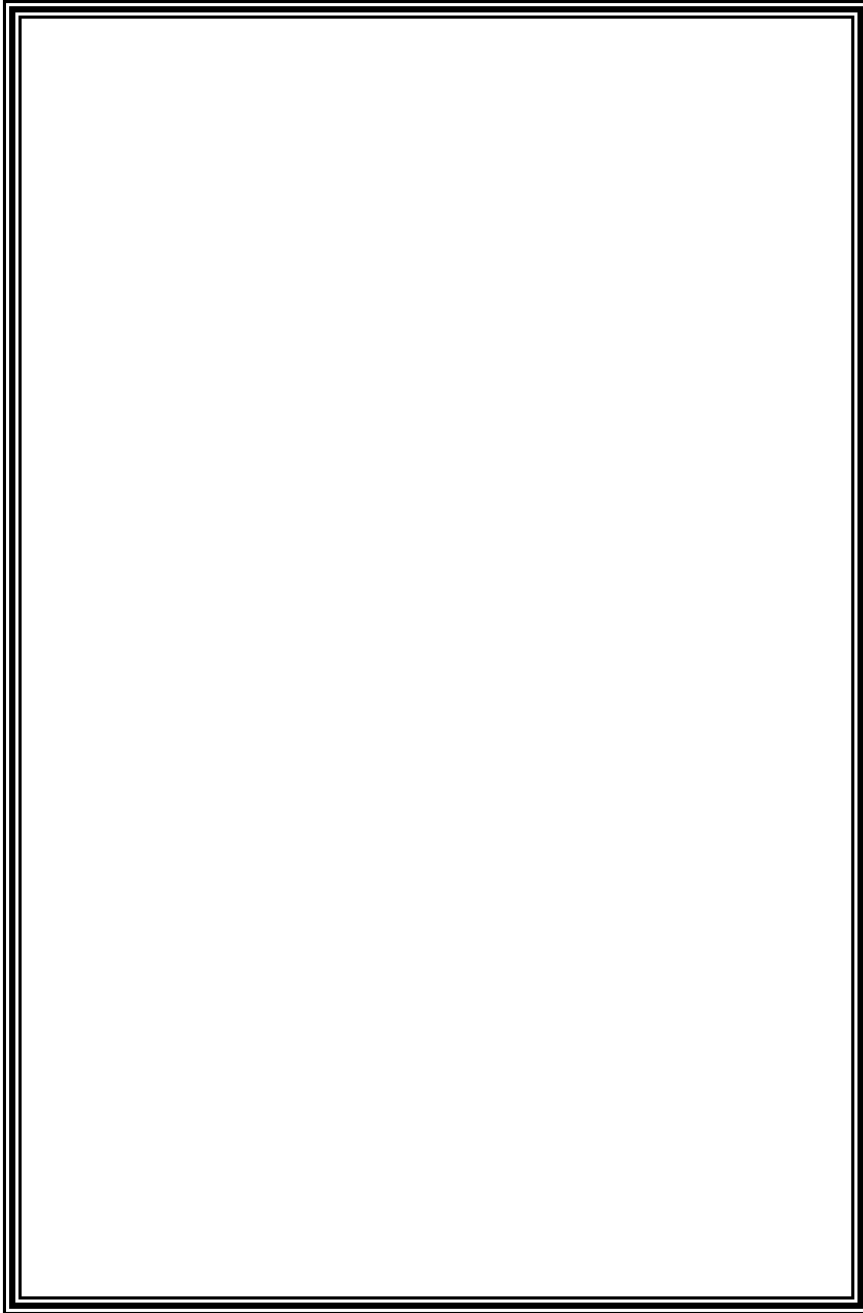
This manual provides safety, installation and operating instructions that will help you derive the fullest performance and service life that the UPS has to offer.

Please save this manual !

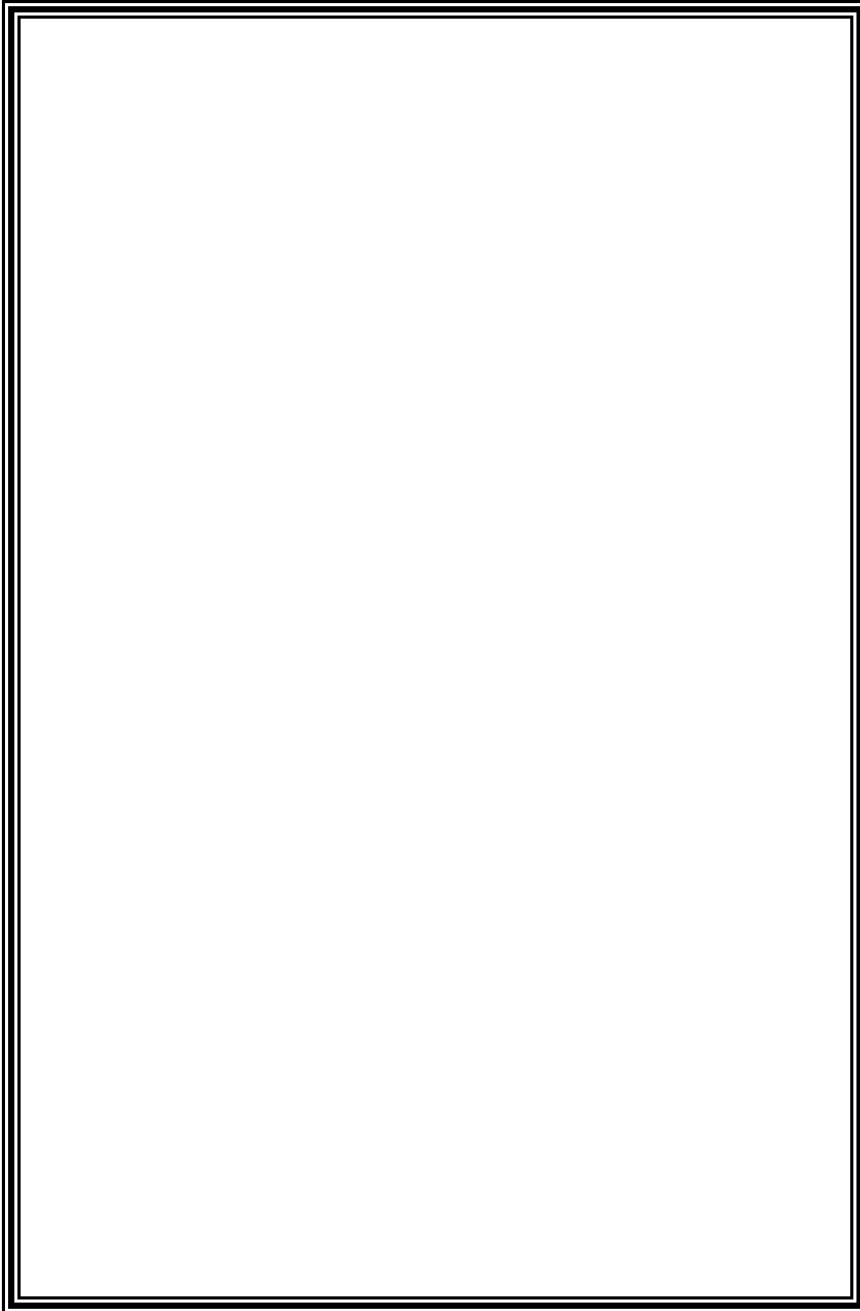
It includes important instructions for the safe use of this UPS and for obtaining factory service should the proper operation of the UPS come into question.

Please save or recycle the packaging materials !

The UPS's shipping materials were designed with great care to provide protection from transportation related damage. These materials are invaluable if you ever have to return the UPS for service. Damage sustained during transit is not covered under the warranty.



NOTES



CAUTION

- The UPS contains voltage that are potentially hazardous. All repairs should be performed by qualified service personal.
- The UPS has its own internal energy source (battery). The output receptacles may be alive even when the UPS is not connected to an AC supply.
- The UPS is suitable for computers and electronic equipment with substantially rectifier or capacitive loads, not suitable for electronic equipment with significant inductive loads, such as motors & fluorescent lamps.
- Be sure to operate within the power rating of the UPS. Below 1/2 or 1/3 of rated power is recommended for longer backup time & longer battery life.
- Do not place the UPS near excessive humidity, under sunshine, or close to heat-emitting sources.
- If the UPS is out of order, please detach power cord and consult your dealer right away. Do not remove cover if there is no serviceable part inside.
- The unit should be supplied by grounded source. Do not operate the unit without ground source.
- The socket-outlet should be installed near the equipment and be easily accessible.
- Do not plug the UPS power cord into itself. That will result in a safety hazard.
- Installation should be performed by a qualified technician or electrician in accordance with local electrical codes.

SPECIFICATIONS

Capacity	VA	1200VA	1500VA	2000VA	3000VA
Input	Voltage	100VAC, 110VAC, 120VAC, 220VAC, 230VAC or 240VAC \pm 25%			
	Frequency	50Hz or 60Hz \pm 5%			
Output	Voltage (Batt. Mode)	100VAC, 110VAC, 120VAC, 220VAC, 230VAC or 240VAC \pm 10%			
	Frequency	50Hz or 60Hz \pm 1Hz			
	Waveform	Modified sine wave			
	Transfer Time	Less than 6ms (typical)			
Battery	Battery Type	12V/7AH*2Pcs	12V/7AH*2Pcs	12V/7AH*4Pcs	12V/9AH*4Pcs
	Recharge Time	5 hours to 90% of full capacity			
Indicator	LCD	LCD indicator for line-on, battery back-up, AVR protection, load and battery level, overload and UPS cut-off			
Alarm	Battery Back-up	Sounding every 3 seconds			
	Battery Low	Sounding every 1 second			
	Overload	Continue beeping sound			
Protection	Overload	Fuse & current limited			
	Short Circuit	Fuse & current limited & cut-off			
	Batt. Low Cut-off	No battery drain after cut-off			
Physical	Dimension, D*W*H	390*182*285			
Environment	Operating Temperature	32°F-104°F at full load, 0-90% relative humidity (non-condensing)			
	Noise Level	Less than 40db (at 1 meter)			
Interface	USB&RS-232	Communication port			
	Software	imate			

SYSTEM CONCEPT

The purpose to present this chapter is to give you more precise conception about how UPS works..

1. Block Diagram

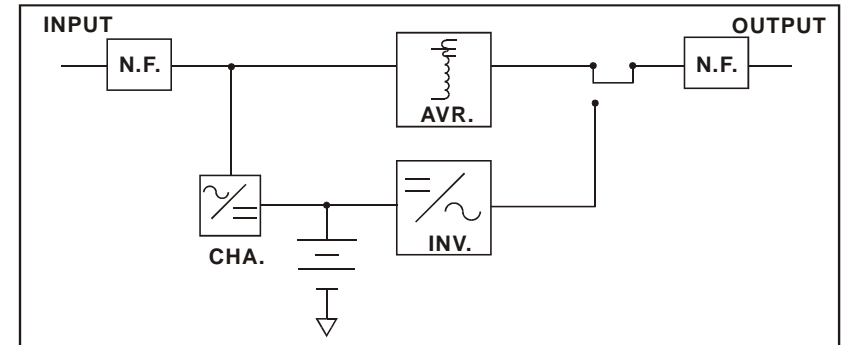


Fig. 1 shows how UPS works.

2. Normal Operation

There are two main loops when AC Utility normal the AC output loop and the battery charging loop. The AC output gets power from AC utility input and pass through AVR to support power to load. In the same time, the AC utility input is converted by AC/DC CHA and support charging power to charge batteries.

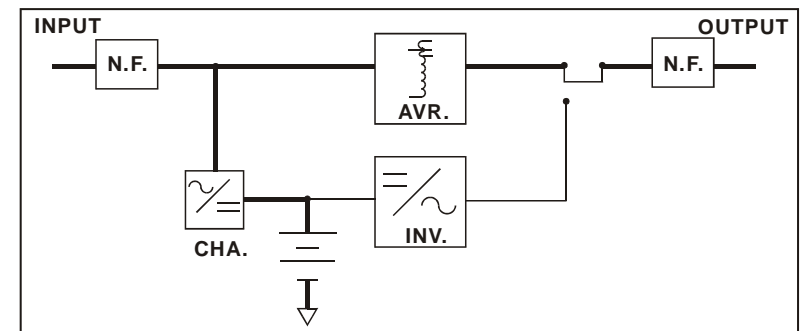


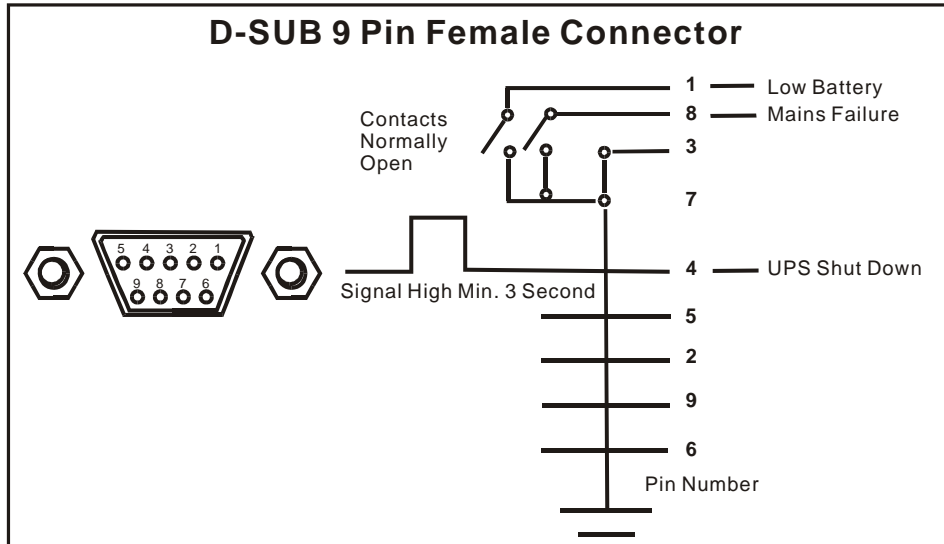
Fig. 2 shows how the UPS works when AC Utility normal.

COMPUTER INTERFACE

The computer interface (DB9 port) on the back of the UPS may be connected to a host computer. This port allows the computer to monitor the status of the UPS and control the operation of the UPS.

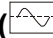






Pin out information:

PIN#	Description	I/O
PIN1	Battery low, normally open, active close	Output
PIN2	N.C.	
PIN3	Common Ground	
PIN4	Remote shut down, keep this pin high (+5~+12V) for 3S will turn off the UPS	Input
PIN5	N.C.	
PIN6	N.C.	
PIN7	Must keep in high state	Input
PIN8	Line fail, normally open, active close	Output
PIN9	N.C.	



OVERVIEW

Front Panel

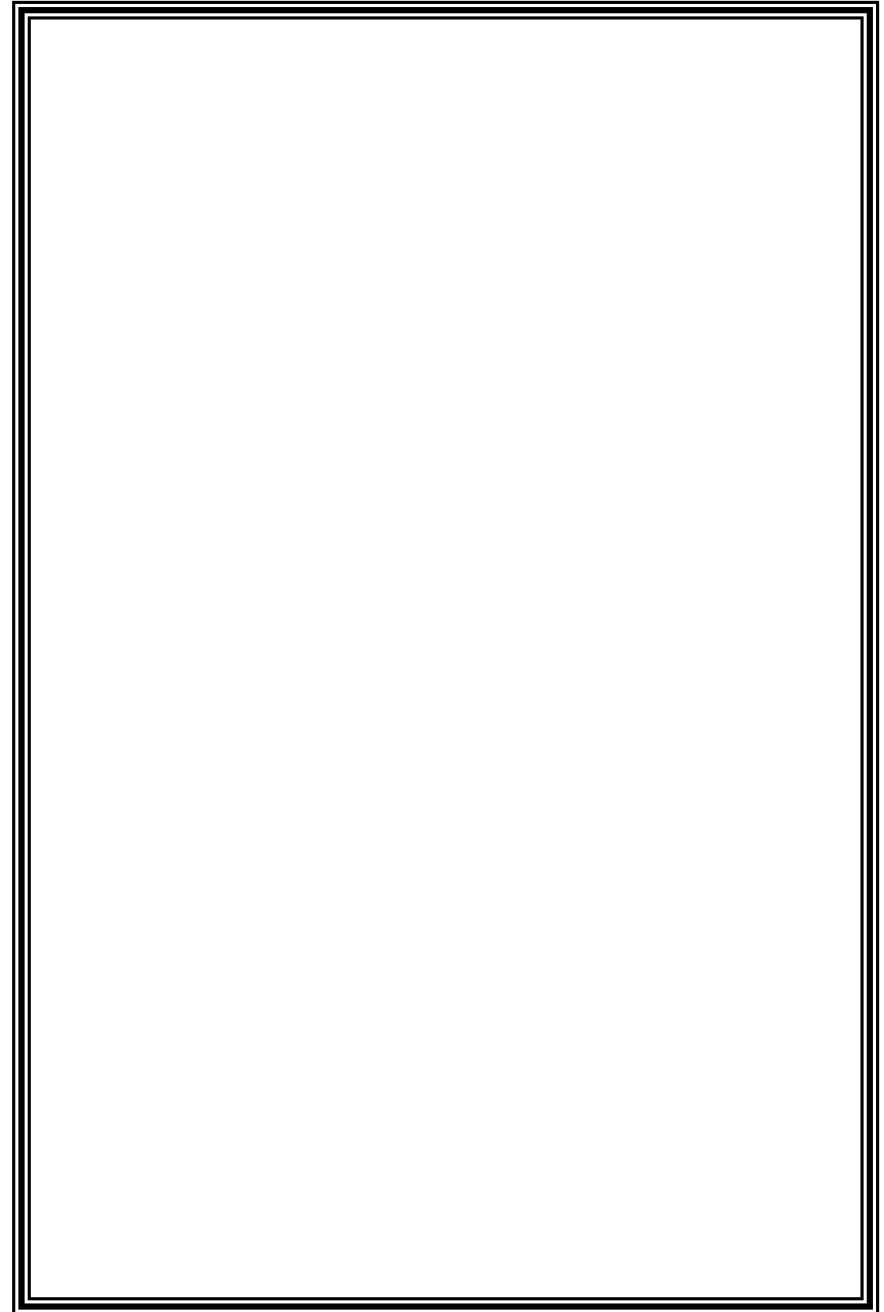
- UPS Test Switch** :When UPS is working under AC mode, it also activates the UPS's self-test by press the bottom.
- Master Power Switch** :Turn on/off the UPS.
- LINE-ON**():AC Normal .
- AVR Protection LCD**():When AVR is working under protection mode, the light will turn on.
- BACK-UP**():Battery in back-up
- Over Load**() :If the UPS is overloaded, the light will turn on and the alarm will sound continuously.
- UPS Cut-off**(): Overload or Cut-off
- Battery Level**():A bar graph showing how much of the UPS battery is being used.
- Load Level**():A bar graph showing how much of the UPS power is being used.

Rear Panel

- AC line input socket** :Connect power cable from the UPS to AC utility.
- AC input fuse** :Contain the fuse to protect the UPS from over current from incoming AC utility.
- Output receptacles** :Connect power cables of computer equipment to this sockets.
- Computer interface** :This socket combines relay contact signals DB9 connector.
- Phone/Fax/Modem jack** :Telecom transfer ports provide users to extend the applications.
- USB port**: Communication port.
- UPS setup switch**:
 - Dip1. ↑Low load auto shutdown: OFF. ↓Low load (below 50W) auto shutdown: ON.
 - Dip2. ↑DC-Start: ON. ↓DC-Start: OFF.
 - Dip3. ↑Buzzer auto-reset: (UPS continue buzzing under backup mode.)
 - ↓Buzzer auto-reset: (To adjust the switch down to silence the audible alarm when UPS is under backup model. But, the function is disabled when UPS is under condition of "Battery low")
- EXT.BATTERY**: Connect external battery cable for battery bank to the UPS.

CONTENTS

	PAGE
1. CAUTION.....	1
2. INTRODUCTION	
SYSTEM DESCRIPTION.....	2
FEATURES.....	2
3. SYSTEM CONCEPT	
BLOCK DIAGRAM.....	3
NORMAL OPERATION.....	3
AC UTILITY FAILURE.....	4
4. OVERVIEW	
FRONT PANEL.....	5
REAL PANEL.....	5
PICTURE.....	5
5. INSTALLATION AND OPERATION.....	7
6. COMPUTER INTERFACE.....	8
7. BATTERY FACTS.....	9
8. SPECIFICATIONS.....	10
9. TROUBLE SHOOTING.....	11
10. NOTES.....	12



INTRODUCTION

System Description

The product is line interactive UPS with the newest technology and powerful function. The Line Interactive UPS is with AVR function allows input voltage range from 75% to 125%, including on line voltage boost-up & buck down. An ideal protection equipment for critical connected loads.

In addition, This UPS provides advanced single telephone line or modem surge suppression through the modular connectors on the back panel.

The Line Interactive UPS and iMate monitoring software (Optional kits) makes our computer operate intelligent and provides you with the ability of perfect protection of your critical devices.

Features

- Line interactive design.
- Easy LCD display.
- Provide boost and buck AVR to stabilize input voltage.
- Provides lightning, surge, overload, and short-circuit protection.
- Built-in CCCV battery charger and battery over drain protection.
- Auto restart when AC recovery.
- Cold start function
- Tel / Modem / Fax / Internet surge suppression.
- Option Bundle software : Automatically save your valuable files before auto shutdown.


TROUBLE SHOOTING

If the UPS failed to operate properly, please review the following checks firstly. If the problem remain, please consult sales agent for service.

- Is the Master power switched on?
- Is the UPS plugged into a correctly working outlet?
- Is the line voltage within the rating specified?
- Is the fuse on the rear panel blown?
- Is the UPS over loaded?
- Is battery not fully charged? Dead battery? Charger failure?

Please provide the following information when call for service.

1. Model number, serial number.
2. Date of the problem occurred, date of purchase.
3. Full description of the problem including load, LCD, and alarm status, installation condition, working environment, etc.

TROUBLE SHOOTING CHART		
Problem	Possible Cause	Caution To Take
No light, and no alarm (UPS not on)	Front panel switch in off position.	Turn on switch.
	Rear panel fuse burnout.	Replace fuse restart UPS.
	Power cord lose	Check input power.
No "Line-on LCD"  light, and alarm beeps every few seconds.	Power cord lose	Check input power.
	AC Fuse burnout.	Replace fuse, if problem remains, call for service.
Backup time is less than the rating.	Battery is not fully charger failure.	Recharge the battery for at least 6 hours, re-test the backup time. If problem remains, call for service.

BATTERY FACTS

3. AC Utility Failure

If AC utility fails, the UPS quickly detects the problem and activates the inverter. The DC/AC inverter changes DC power from the batteries into AC and provides continuous uninterruptible power to load.

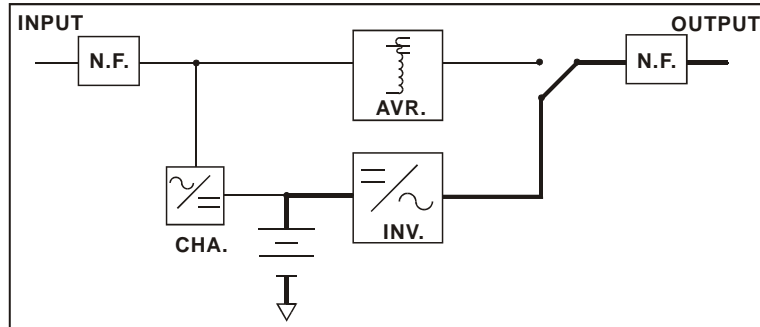


Fig. 3 shows how the UPS works when AC Utility Failure

The battery is the only periodically serviceable parts in the UPS. An expected life is approx. 3~5 years. However, frequent long discharges or ambient temperatures above 80°F will shorten battery life. Therefore, it is recommended to replace the batteries every 3 years after initiating the unit.

Recharge batteries every 3 months is necessary if it is not in use because it may cause batteries over-drain.

WARNING

Only a qualified technician should replace the battery. Batteries have high short-circuit current capacity; mistakes in connecting or disconnecting can cause connections to arc or weld and could cause severe burns.

STORAGE

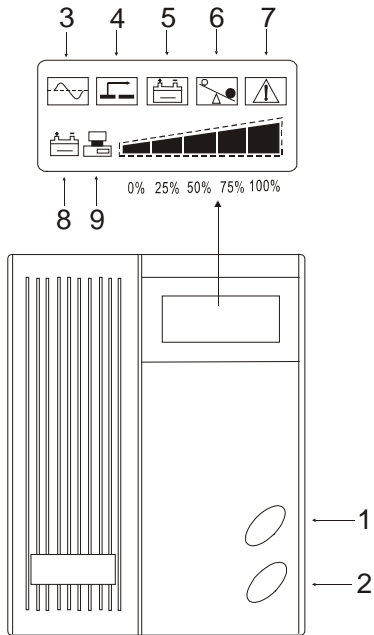
The UPS should only be stored if the battery is fully charged. Avoid storage temperatures above 80°F as battery life is significantly shortened. Every 90 days remove the unit from storage and plug it in for 24 hours to recharge the batteries. Batteries may be damaged if left in storage and not recharge every 90 days.

IMPORTANT NOTICE

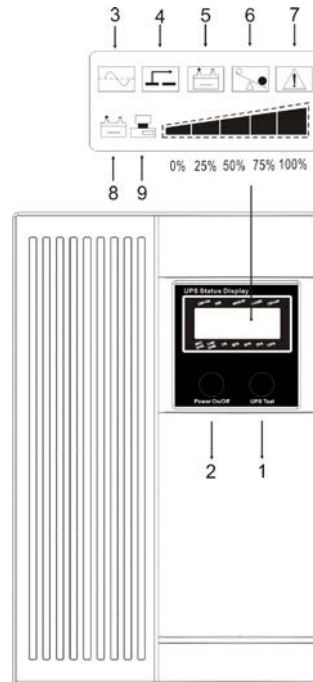
Please use same type and same rating of batteries for replacement.
Do not replace it with the battery that exceeds specified rating.

Front Panel:

1200VA-2000VA

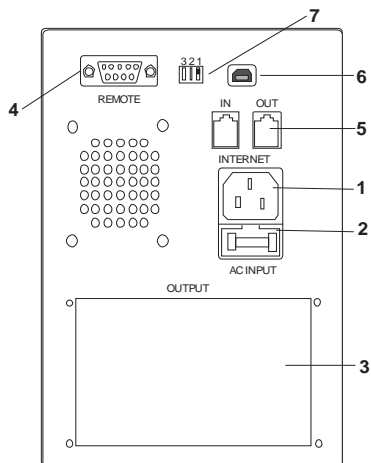


2000VA-3000VA

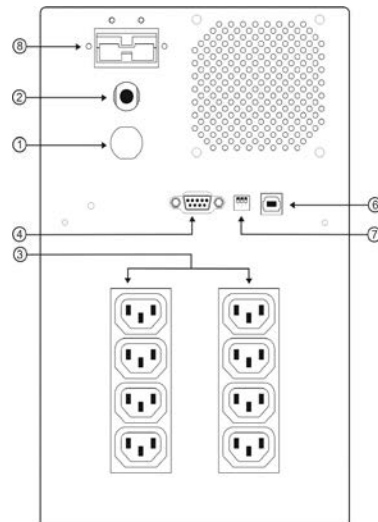


Rear Panel:

1200VA-2000VA



2000VA-3000VA



INSTALLATION AND OPERATION

Upon receipt of the UPS, inspect the shipping carton for damage. If there is any obvious damage, immediately report it to the selling dealer or the delivering carrier. If there is no damage to the shipping carton, unpack the unit and inspect the unit for damage.

The UPS is designed for installation in a protected environment within a temperature range from 32°F to 104°F and relative humidity of 0~90% without condensation. Do not block inlets and outlets. Install the system in a location free from excessive dust and chemical fumes.

Check the identification label to verify the UPS voltage and power rating match the available line voltage and load requirements.

Installation:

1. Check if the main switch on the UPS front panel is in the off position and insure that the voltage of the AC utility source corresponds to the nameplate on the UPS rear panel.
2. Plug the power cable into the grounded socket.
3. Push the main switch, then the Load Level LCD (🔋) will light on after 2 seconds and CUT-OFF LCD (⚠️) will light off. The UPS will then get ready and start to work normally.
4. Connect your PC with UPS, then turn on PC. Be sure to check the

Load Level LCD (🔋) indicator and DO NOT OVERLOAD it over 100%. To simulate AC failure (Push UPS test switch) can help to insure whether UPS is in good condition or not. It is designed to alarm every 3 seconds and with BACK-UP LCD (🔋) light on when simulation starts. If the CUT-OFF LCD (⚠️) is on, it means UPS fault or BATTERY fault. Then you have to contact your local service center

5. When battery approaches low level (🔋), alarm will beep every second until auto shut down
6. The 4 conditions UPS will automatically shut down:
 - a. Battery low
 - b. Short circuit
 - c. Overload
 - d. UPS fault

