



RPT-3003AUL

3KVA Line Interactive UPS

RPT-3003AUL is a robust 3KVA Line Interactive UPS that employs an advanced MCU high-speed processing chip to enhance load safety and operational efficiency. This chip empowers the UPS to manage tasks with precision and effectiveness, optimizing overall performance.

An outstanding feature of the RPT-3003AUL is its intelligent surge protection with a high-power surge receiver, safeguarding connected electronic devices from lightning-induced surges and voltage spikes. This protection ensures equipment longevity and reliability, making it valuable in areas prone to electrical disturbances. Additionally, the UPS boasts an intelligent voltage stabilization function that maintains a consistent output despite fluctuations in input waveforms, ensuring a reliable power supply. Its ultra-wide voltage/frequency input acceptance range equips the UPS to handle challenging power conditions effectively, providing stable power to connected devices.

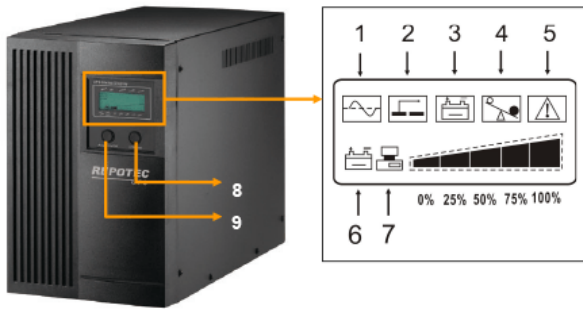
RPT-3003AUL not only excels in technical capabilities but also addresses concerns related to sudden power failures. By granting users time to respond, it mitigates potential losses and reinforces operational continuity. Overall, the RPT-3003AUL combines technological prowess, adaptability, and protection, ensuring reliable performance in demanding power scenarios.

Features

- Line Interactive Design
- User-friendly LCD Display
- No Load Auto Shutdown (Dip Switch Set up)
- Auto Restart when AC Recovery
- Buzzer Alarm Auto Reset (Dip Switch Set up)
- Cold Start Function (DC Power On)
- Tel/Modem/Fax/Internet Surge Suppression
- Provide Boost and Buck AVR to stabilize Input Voltage
- Provide Lightning, Surge, Overload and Short Circuit Protection
- Built-in CCCV Battery Charger and Battery Over Drain Protection
- RS-232 or USB port and cable for managing functions via PC

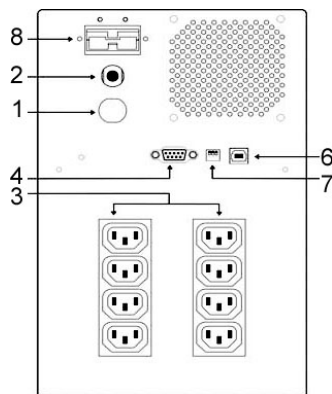
Interface

Front Panel



1. **On-line:** AC normal.
2. **AVR Protection LCD:** When AVR is working under protection mode, the light will turn on.
3. **Back-up:** Battery in back-up.
4. **Overload:** If the UPS is overloaded, the light will turn on and the alarm will sound continuously.
5. **UPS Cut off:** Overload or cut off.
6. **Battery Level:** A bar graph showing how much of the UPS battery is being used.
7. **Load Level:** A bar graph showing how much of the UPS power is being used.
8. **UPS Test Switch:** When UPS is working under AC mode, it also activates the UPS's self-test by press the bottom.
9. **Master Power Switch:** Turn on/off the UPS

Rear Panel



1. **AC line input socket:** Connect power cable from the UPS to AC utility
2. **AC input fuse**
3. **Output receptacles**
4. **Computer interface:** This socket combines relay contact signals DB9 connector
5. **Phone/Fax/Modem jack**
6. **USB port:** Communication port
7. **UPS setup switch**
8. **EXT.BATTERY**

Specifications

| | | |
|-----------------|---|---|
| Model | | RPT-3003AUL |
| Capacity | | 3KVA/1800W |
| Input | Voltage | 110/115/120VAC or 220/230/240VAC |
| | Voltage Range | 86VAC~144VAC or 172VAC ~288VAC (+/-25%) |
| | Frequency | 47Hz~53Hz or 57Hz ~63Hz |
| Output | Voltage Regulation (Batt. Mode) | 110/115/120VAC or 220/230/240VAC +/-10% |
| | Frequency | 50Hz or 60Hz +/-1Hz |
| | Waveform | Simulated Sine wave |
| | Transfer Time | < 6ms (Typical) |
| | Outlets: IEC-320/ NEMA 5-15R | |

| | | |
|--------------------|---------------------------------------|--|
| Battery | Battery Type | 12V/9AH * 4pcs |
| | Recharge Time | 5Hrs to 90% after complete discharge |
| | User's Replacement | Yes |
| | Battery Protection | Over discharge protection & Short circuit protection by fuse |
| | Advanced Battery Management | Yes |
| | Battery Back-up Time | It depends on connecting loads |
| Function | Display (LCD) | LCD display for AC normal, Back-up, AVR protection, Load and Battery level, Overload and UPS cut off |
| | Alarm | Buzzer on for Back-up mode, Battery low, Overload |
| | Output Short Protection | AC fuse and Electronic circuit(Line mode);Electronic circuit (Back-up mode) |
| | Communication Port | Shutdown software for Windows 95/98/NT/2000/ME/XP/Vista |
| | Modem/Phone Protection | RJ-11/RJ-45 |
| | Lightning/Surge Protection | 240joules |
| | AVR (Auto. Voltage Regulation) | Boost/Buck |
| | DC Start Function | Yes |
| | Auto. Restart UPS | Yes |
| Environment | Over/Under Voltage Protection | Yes |
| | Safety Standard | CE (EN50091-1,EN62040-1-1) |
| | EMC Standard | FCC Part 15 Class B,CE (EN50091-2,EN55011,EN61000-3-2,EN61000-3-3) |
| | Operating Temperature | 0°C ~ 40°C |
| | Relative Humidity | 0% ~ 95%, Non-Condensing |
| Physical | Audible Noise | < 40dB at 1M |
| | Dimension(D*W*H) | 408 * 143 * 197mm |
| | Net Weight | 28Kgs |

** Specifications are subjected to change without further notice.

Ordering information

RPT-3003AUL 3KVA/1800W Line Interactive UPS, w/ USB port

REPOTEC CO., LTD.

3F., No.258, Liancheng Rd., Zhonghe District., New Taipei City 235, Taiwan

TEL: 886-2-8227-1888 FAX: 886-2-8227-1818