

28 Ports Full Gigabit PoE Switch

(24*10/100/1000M PoE ports, 2*10/100/1000M ports and 2*1000M SFP ports)

User manual

V 1.0

Overview

It is a 28-port PoE unmanaged switch series that supports up to 24*10/100/1000M PoE ports, 2*10/100/1000M ports and 2*1000M SFP ports. 24*10/100/1000M ports support PoE+, conforming to IEEE 802.3af/at standard, single port PoE power up to 30W. It provides two modes of Default and VLAN to adapt to various complex environments. At the same time, it supports the PoE usage rate indication, which is convenient to show the consumption of PoE power.

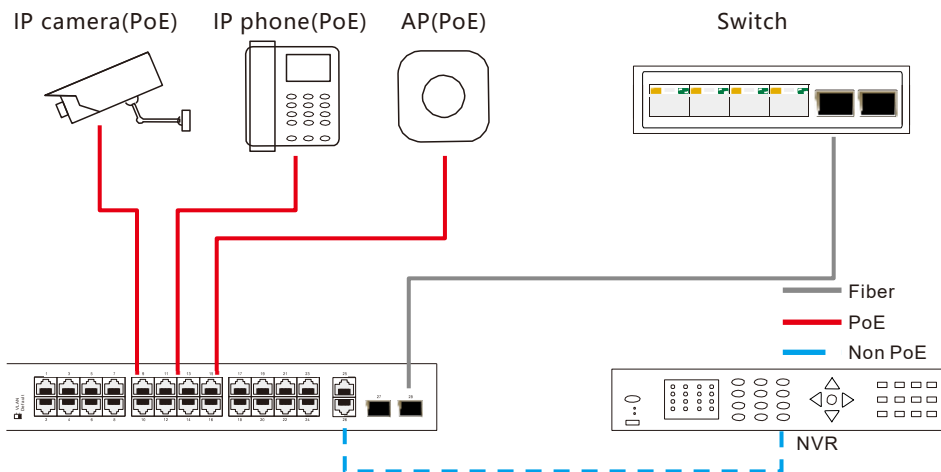
It has a high anti-interference ability, the product supports 6KV surge protection, and 6KV contact / 8KV air ESD protection.

It supports wall hanging and desktop installation, reliable and durable, and can be used in security network video monitoring, network engineering and other occasions.

Feature

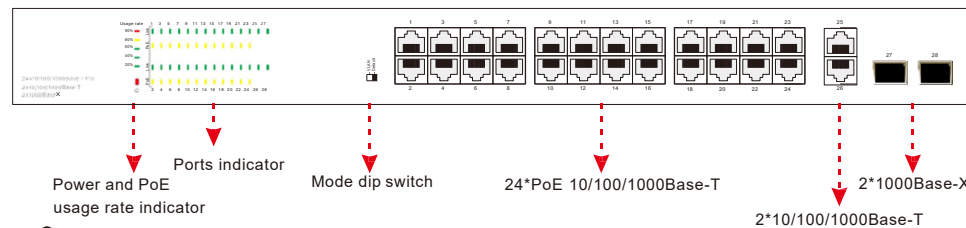
- With 24*10/100/1000M PoE downlink ports, 2*10/100/1000M uplink ports and 2*1000M SFP ports;
- The maximum PoE power of single port is 30W;
- Provides two modes of Default and VLAN to adapt to various complex environments;
- Supports PoE usage rate indication, which is convenient to show the consumption of PoE power;
- 6KV surge protection, 6KV contact / 8KV air ESD protection;
- Supports wall hanging and desktop installation.

Application

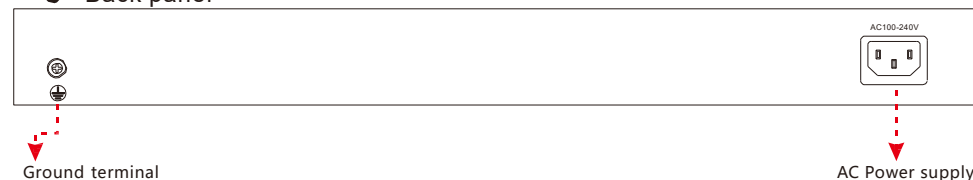


Panel diagram

Front panel



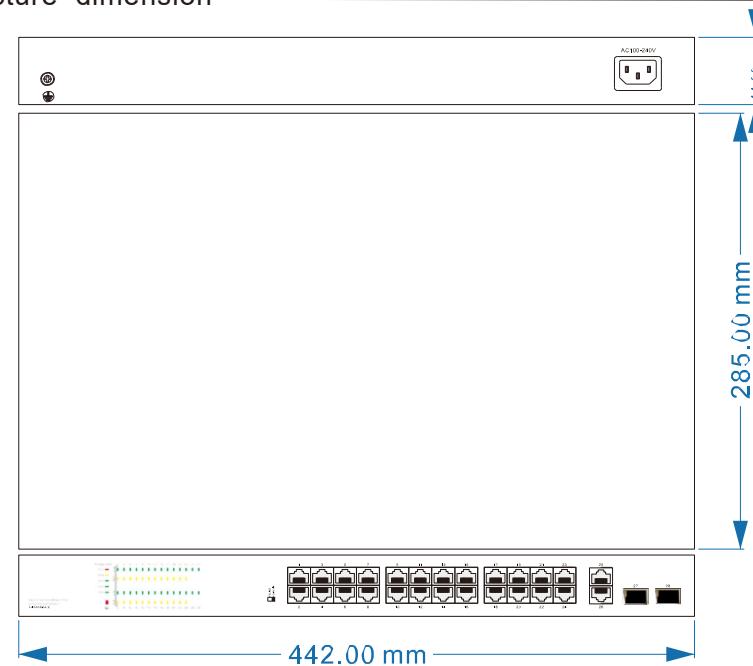
Back panel



Attention 1: This product must be well grounded against lightning, please use better than 20# cable to connect the grounding terminal and ground.

Attention 2: Default, VLAN mode: It can be selected by dip switch. Default: Normal switch mode. VLAN: 1~24 ports are isolated, only can communicate with the uplink ports 25~28; restrain the network storm; close flow control.

Structure dimension



Package list

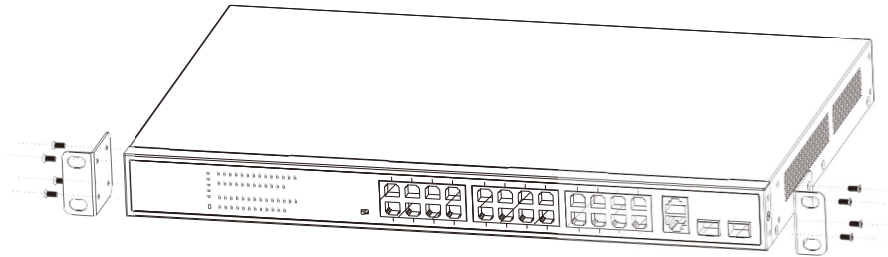
Please check the following items before installation, if any missing, please contact your local dealer.

Switch	1 pc
AC cable	1 set
Wall hanger+screw	1 set
User manual	1 pc

Installation

● Installation on the wall

- 1) Use the screws to fix the hanger, follow the figure below;
- 2) Drill holes on a strong position of wall and then drive the rubber plug into the hole;
- 3) Drive these screws into the holes.



● Installation step

Please follow the following steps (take video monitoring for example).

- 1) Please turn off the signal source and the device's power, installation with power on may damage the device;
- 2) Use 24 pcs UTP cables to connect 24 pcs IP cameras with the product's 1~24 RJ45 Ethernet ports;
- 3) Use 1 pcs UTP cables to connect switch's uplink port with NVR and other switch;
- 4) Connect switch with power adapter;
- 5) Check if the installation is correct and device is good, make sure all the connection is reliable and power up the system;
- 6) Make sure every network device has power supply and work normally.

Specification

Item		
Power	Power supply	AC power supply
	Range of voltage	AC100~240V, 50/60HZ
	Consumption	Self-consumption<20W, PoE output 270W
Ethernet ports parameter	Ethernet ports parameter	1~24 ports: 10/100/1000Base-T 30W PoE RJ45(IEEE802.3af/at PSE) 25~26 ports: 10/100/1000Base-T RJ45 27~28 ports: 1000Base-X SFP
	POE Usage rate	20%, 40%, 60%, 80%, 90% LED indicator
	Working mode	Default: common switch. VLAN: 1~24 ports are isolated, only can communicate with the uplink
	1~24 PoE ports	Support IEEE 802.3af/at, end-span, single port≤30W
	Cable and distance	Use cat5e/6, 100m max.
Switch parameter	Standard	IEEE802.3, IEEE802.3u, IEEE802.3z
	Switch fabric	56Gbps
	Throughput	42Mpps
	Buffer	4M
	MAC address table	8K
Indicator	Power	1 *red
	Uplink 25~28	Green LEDs indicate Link/Act
	Downlink 1~24	Green LEDs indicate Link/Act, yellow LEDs indicate PoE
Protection	Surge	6KV, standard: IEC61000-4-5
	ESD	6KV: contact / 8KV: air, standard: IEC61000-4-2
Environment	Working temperature	-10°C~50°C
	Storage temperature	-40°C~85°C
	Humidity	0~95%(No condensation)
Structure	Dimension(L×W×H)	442mm×285mm×44mm
	Material	Metal
	Colour	Black
	Net-weight	4KG