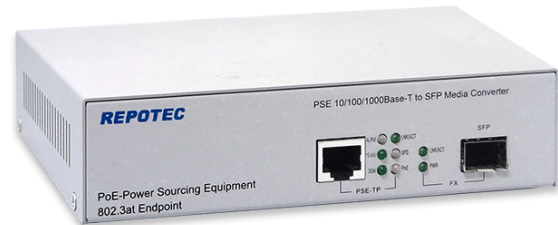


RP-130GPFPA

10/100/1000Base-T to SFP Gigabit PoE+ Media Converter



RP-130GPFPA is a versatile media converter designed to seamlessly connect 10/100/1000Base-T and 100/1000Base-SX/LX (SFP) GbE network segments. It not only supports high-speed data transmission but also complies with the IEEE802.3at Power Over Ethernet (PoE) standard. With its integrated PoE-enabled RJ45 port (up to 30W) and a GbE SFP port, it offers a flexible and cost-effective solution for network connectivity.

Equipped with over-current protection, under-current detection, and fault protection input, the RP-130GPFPA ensures reliable and secure operation. Its Link Fault Pass-through (LFP) feature allows the media converter to monitor both the fiber and copper RX ports for any loss of signal, enabling prompt troubleshooting and maintenance.

RP-130GPFPA goes beyond traditional media converters by offering PoE powering capabilities. This feature eliminates the need for additional power cables and provides seamless integration with various PoE Powered Devices (PD), including IP phones, IP cameras, and WiFi access points. Its high hardware performance and environmental flexibility make it an excellent choice for a wide range of Ethernet applications, ensuring reliable and efficient connectivity in diverse network environments.

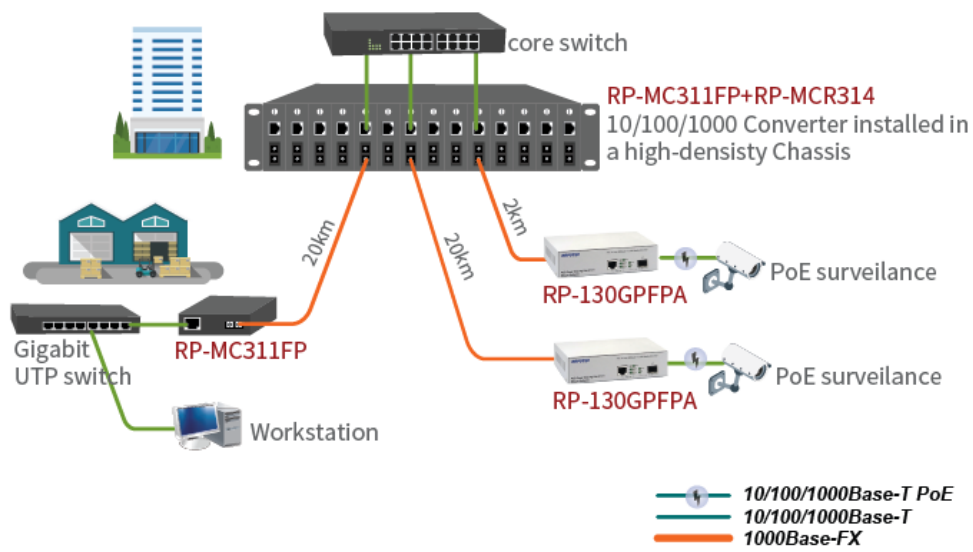
Features

- IEEE 802.3ab 1000Base-T Gbit/s Ethernet over twisted pair
- IEEE 802.3z 1000Base-X Gbit/s Ethernet over Fiber-Optic
- IEEE 802.3at max. 30W Power over Ethernet
- DIP Switch to Set Configurations:
 - PoE/PoE DIS: PoE Enable (Default) or Disable
 - LFP/LFP DIS: LFP Enabled (Default) or Disabled
 - Normal/Cut-through: Normal is Bridge Mode (Default) or Cut-through Mode
- Supports Jumbo frame 16KB
- Wall Mount Mounting Type

Specifications

Standards	<ul style="list-style-type: none"> • IEEE802.3 10Base-T, IEEE802.3u 110ase-TX, • IEEE802.3z/ab 1000Base-T, • IEEE802.3x full-duplex flow control, • 100/1000Base-SX/LX 																																
Interface	<ul style="list-style-type: none"> • 1 x 10/100/1000Base-TX: STP RJ-45, Auto-Negotiation, Auto-MDIX • 1 x 100/1000Base-SX/LX: SFP slot 																																
Cable	<ul style="list-style-type: none"> • UTP cables: Cat. 5, or above Cat. 5e class UTP cables, Max. Length up to 100M • Fiber Cable Limitations: <table border="1" data-bbox="496 638 1461 1025"> <tr> <td rowspan="4">1000Base-SX (850nm)</td> <td colspan="2">Multi-Mode Fiber 62.5/125µm</td> <td colspan="2">Multi-Mode Fiber 50/125µm</td> </tr> <tr> <td>Bandwidth MHz-Km</td> <td>Distance</td> <td>Bandwidth MHz-Km</td> <td>Distance</td> </tr> <tr> <td>260</td> <td>220m</td> <td>400</td> <td>500m</td> </tr> <tr> <td>200</td> <td>275m</td> <td>500</td> <td>550m</td> </tr> <tr> <td>1000Base-LX (1310nm/1550nm)</td> <td colspan="4">Single-Mode Fiber 9/125µm: 2Km</td> </tr> <tr> <td></td> <td colspan="4">Single-Mode Transceiver 1310nm: 10/30Km</td> </tr> <tr> <td></td> <td colspan="4">Single-Mode Transceiver 1550nm: 50Km</td> </tr> </table> 	1000Base-SX (850nm)	Multi-Mode Fiber 62.5/125µm		Multi-Mode Fiber 50/125µm		Bandwidth MHz-Km	Distance	Bandwidth MHz-Km	Distance	260	220m	400	500m	200	275m	500	550m	1000Base-LX (1310nm/1550nm)	Single-Mode Fiber 9/125µm: 2Km					Single-Mode Transceiver 1310nm: 10/30Km					Single-Mode Transceiver 1550nm: 50Km			
1000Base-SX (850nm)	Multi-Mode Fiber 62.5/125µm		Multi-Mode Fiber 50/125µm																														
	Bandwidth MHz-Km		Distance	Bandwidth MHz-Km	Distance																												
	260		220m	400	500m																												
	200	275m	500	550m																													
1000Base-LX (1310nm/1550nm)	Single-Mode Fiber 9/125µm: 2Km																																
	Single-Mode Transceiver 1310nm: 10/30Km																																
	Single-Mode Transceiver 1550nm: 50Km																																
Data Transfer Rate	<ul style="list-style-type: none"> • 2000Mbps/full-duplex 																																
Jumbo frame	<ul style="list-style-type: none"> • 16KB 																																
PoE	<ul style="list-style-type: none"> • IEEE802.3at PoE PSE, End-Span via TP pin 1, 2, 3, 6 • Support PoE(15.4W), PoE+(30W) • Over-current protection, Under-current detection • Minimum load sensing, Fault Protection Input • PSE MDI power enable/disable 																																
DIP switch	<ul style="list-style-type: none"> • DIP 1: PoE Enable(Default) or Disable • DIP 2: LFP Enabled(Default) or Disabled • DIP 3: Normal is Bridge Mode(Default) or Cut-through Mode 																																
LED Indicators	<ul style="list-style-type: none"> • FX LNK/ACT(Green), TP LNK/ACT(Green), PWR(Green) • TP SPD (Green): 1000Mbps; (Yellow): 100Mbps • PoE (Green): PoE is active • ALRM (Red): PoE power was disrupted (over-temp or over-current) • 15.4W(Green): PD Class Type is Class 0 – 3 • 30W(Green): PD Class Type is Class 4 																																
Power Consumption	<ul style="list-style-type: none"> • 3W (No PoE loading) 																																
Power Supply	<ul style="list-style-type: none"> • Internal Power supply 100~240VAC, 50/60Hz 																																
Environment	<ul style="list-style-type: none"> • Operating Temperature: 0°C to 50°C • Storage Temperature: -20 to 70°C • Operating Humidity: 5% to 95% (Non-Condensing) 																																
Dimension	<ul style="list-style-type: none"> • L158 * W133 x H40 mm 																																
Certification	<ul style="list-style-type: none"> • FCC, CE, LVD EN 62368-1 																																

Application



Ordering Information

RP-130GPFPA 10/100/1000Base-T to 100/1000X SFP Gigabit PoE+ Media Converter