

**Product Overview**

The MOD-MGL40A-D of Small Form Factor Pluggable (SFP) transceiver module is specifically designed for high performance integrated single data link over single mode optical fiber. The high-speed laser diode and photo diode are provided as a light source and a detector, respectively. An EEPROM contained the detailed product information for the host equipment is accessed by the 2-wire serial CMOS EEPROM protocol. It complies with SFP MSA, SONET/SDH standards, Class 1 laser products, EN60825, and EN60950.



**Features**

- RoHS Compliant
- Digital Diagnostics are External Calibrated
- Operation Temperature: 0~70°C
- 1310nm uncooled DFB LD
- 1550nm receiver
- 40Km link distance(indicative only)
- Hot pluggable
- Metal enclosure, low EMI
- Single 3.3V power supply
- Low Power Dissipation

**Applications**

- Metro Access Rings
- Point-to-Point networking
- 1x Fiber Channel
- Gigabit Ethernet
- Suitable for Fast Ethernet and OC-12

**Ordering information**

Product Code	Description/Clasp Color
MOD-MGL40A-D	1310nm, <b>Blue</b>

**Absolute Maximum Ratings**

Parameter	Symbol	Min.	Typ.	Max.	Unit	Note
Storage Temperature	T <sub>S</sub>	<b>-40</b>		<b>85</b>	°C	
Supply Voltage	V <sub>CC</sub> T V <sub>CC</sub> R	<b>0</b>		<b>5.5</b>	V	
Relative Humidity	RH	<b>0</b>		<b>85</b>	%	

**Recommended Operating Conditions**

Parameter	Symbol	Min.	Typ.	Max.	Unit	Note
Operating Temperature	T <sub>OP</sub>	<b>0</b>		<b>70</b>	°C	
Supply Voltage	V <sub>CC</sub> T,R	<b>3.1</b>	<b>3.3</b>	<b>3.5</b>	V	
Supply Current	I <sub>TX</sub> + I <sub>RX</sub>		<b>200</b>	<b>300</b>	mA	

**Transmitter Electro-Optical Interface (T<sub>C</sub> = 0~70°C, V<sub>cc</sub>T,R=3.1V<V<sub>CC</sub><3.5V)**

Parameter	Symbol	Min.	Typ.	Max.	Unit	Note
Transmitter Differential Input Voltage	TD +/-	<b>400</b>		<b>2000</b>	mVp-p	A
Optical Output Power	P <sub>O</sub>	<b>-3</b>		<b>+3</b>	dBm	A
Optical Extinction Ratio	E <sub>R</sub>	<b>9</b>			dB	A
Center Wavelength	λ <sub>C</sub>	<b>1290</b>	<b>1310</b>	<b>1330</b>	nm	A
Spectral Width	Δλ			<b>&lt;1</b>	nm	A
Side Mode Suppression Ratio	SMSR	<b>30</b>			dB	A
Optical Rise / Fall Time	t <sub>r</sub> / t <sub>f</sub>			<b>0.25</b>	nsec	A,B
Tx_Fault - High	V <sub>Fault_H</sub>	<b>2</b>		<b>V<sub>CC</sub></b>	V	A
Tx_Fault - Low	V <sub>Fault_L</sub>	<b>V<sub>ee</sub></b>		<b>V<sub>ee</sub>+0.5</b>	V	A
Tx_Disable - High	V <sub>Disable_H</sub>	<b>2</b>		<b>V<sub>CC</sub></b>	V	A
Tx_Disable - Low	V <sub>Disable_L</sub>	<b>V<sub>ee</sub></b>		<b>V<sub>ee</sub>+0.8</b>	V	A

**Notes:**

A. All of data is measured at 1250Mbps , PRBS 2<sup>7</sup>-1 ,NRZ.

B: 20%~80%

**Receiver Electro-Optical Interface (T<sub>C</sub> = 0~70°C, V<sub>cc</sub>T,R=3.1V<V<sub>CC</sub><3.5V)**

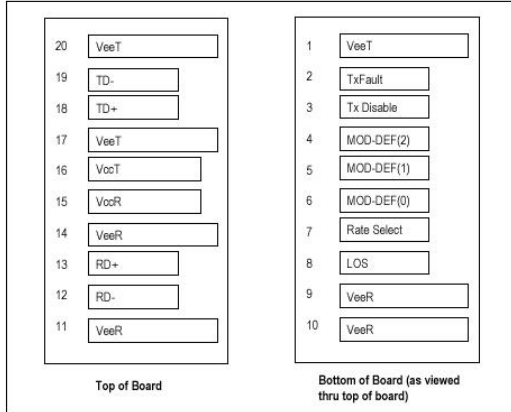
Parameter	Symbol	Min.	Typ.	Max.	Unit	Note
Receiver Differential Output Voltage	RD +/-	<b>600</b>	<b>800</b>		mV <sub>P-P</sub>	
Receiver Overload	P <sub>IN</sub> MAX	<b>-3</b>			dBm	A,B
Receiver Sensitivity	P <sub>IN</sub> MIN			<b>-23</b>	dBm	A,B
Operating Center Wavelength	λ <sub>c</sub>	<b>1480</b>		<b>1580</b>	nm	
Receiver LOS Assert Level	P <sub>RX_LOS A</sub>	<b>-35</b>			dBm	B
Receiver LOS Deassert Level	P <sub>RX_LOS D</sub>			<b>-23.5</b>	dBm	B
Receiver Loss of Signal Hysteresis		<b>0.5</b>	<b>2</b>		dB	B

**Notes:**

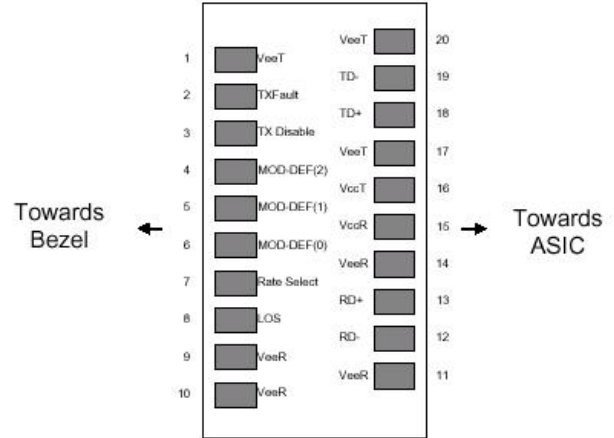
A. With BER better than or equal to 1×10<sup>-12</sup>

B. measured in the center of the eye opening with 2<sup>7</sup> -1 PRBS, NRZ

**Pin Description**



**SFP Transceiver Electric Pad Layout**



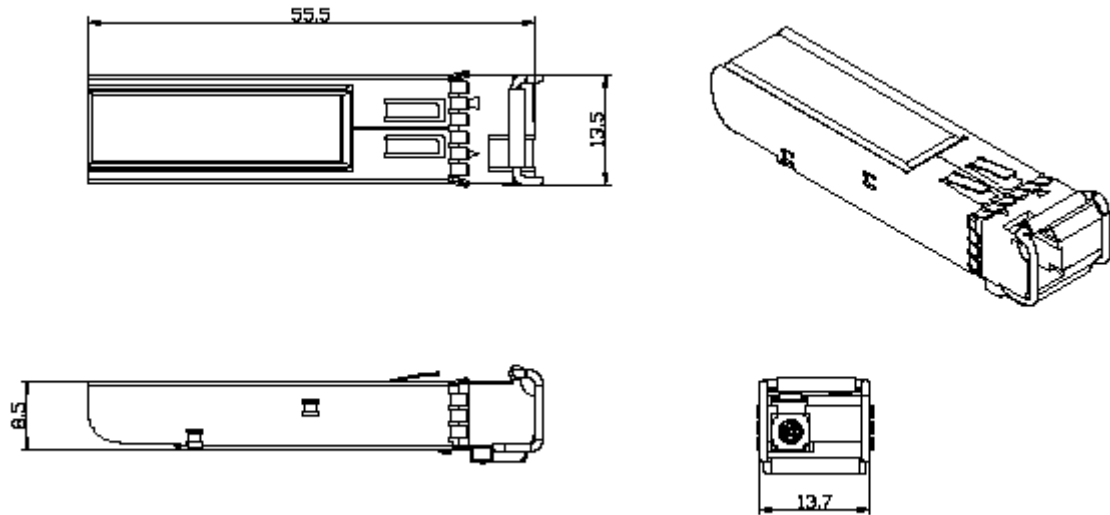
**Diagram of Host Board Connector Block Pin Numbers and Names**

Pin No.	Pin Name	Function	Plug Seq.	Notes
1	V <sub>ee</sub> T	Transmitter Ground	1	1
2	TX Fault	Transmitter Fault Indication	3	2
3	TX Disable	Transmitter Disable	3	3
4	MOD_DEF 2	Module Definition 2	3	4
5	MOD_DEF 1	Module Definition 1	3	4
6	MOD_DEF 0	Module Definition 0	3	4
7	Rate Select	Select between full or reduced receiver bandwidth	3	5
8	LOS	Loss of Signal	3	6
9	V <sub>ee</sub> R	Receiver Ground	1	1
10	V <sub>ee</sub> R	Receiver Ground	1	1
11	V <sub>ee</sub> R	Receiver Ground	1	1
12	RD -	Inv. Receiver Data Out	3	
13	RD +	Receiver Data Out	3	
14	V <sub>ee</sub> R	Receiver Ground	1	1
15	V <sub>cc</sub> R	Receiver Power	2	
16	V <sub>cc</sub> T	Transmitter Power	2	
17	V <sub>ee</sub> T	Transmitter Ground	1	1
18	TD +	Transmitter Data In	3	
19	TD -	Inv. Transmitter Data In	3	
20	V <sub>ee</sub> T	Transmitter Ground	1	1

Note:

- 1, Circuit ground is internally isolated from chassis ground
- 2, Open-Collector outputs, asserted when LD and/or APC function fail.
- 3, Disable when high voltage (>2.0V or Open)
- 4, Should be pulled up with 4.7k – 10kohms on host board to a voltage between 2.0V and 5.5V. MOD\_DEF(0) pulls line low to indicate module is plugged in.
- 5, No connection required
- 6, LOS is open collector output. Should be pulled up with 4.7k – 10kohms on host board to a voltage between 2.0V and 5.5V. Logic 0 indicates normal operation; logic 1 indicates loss of signal.

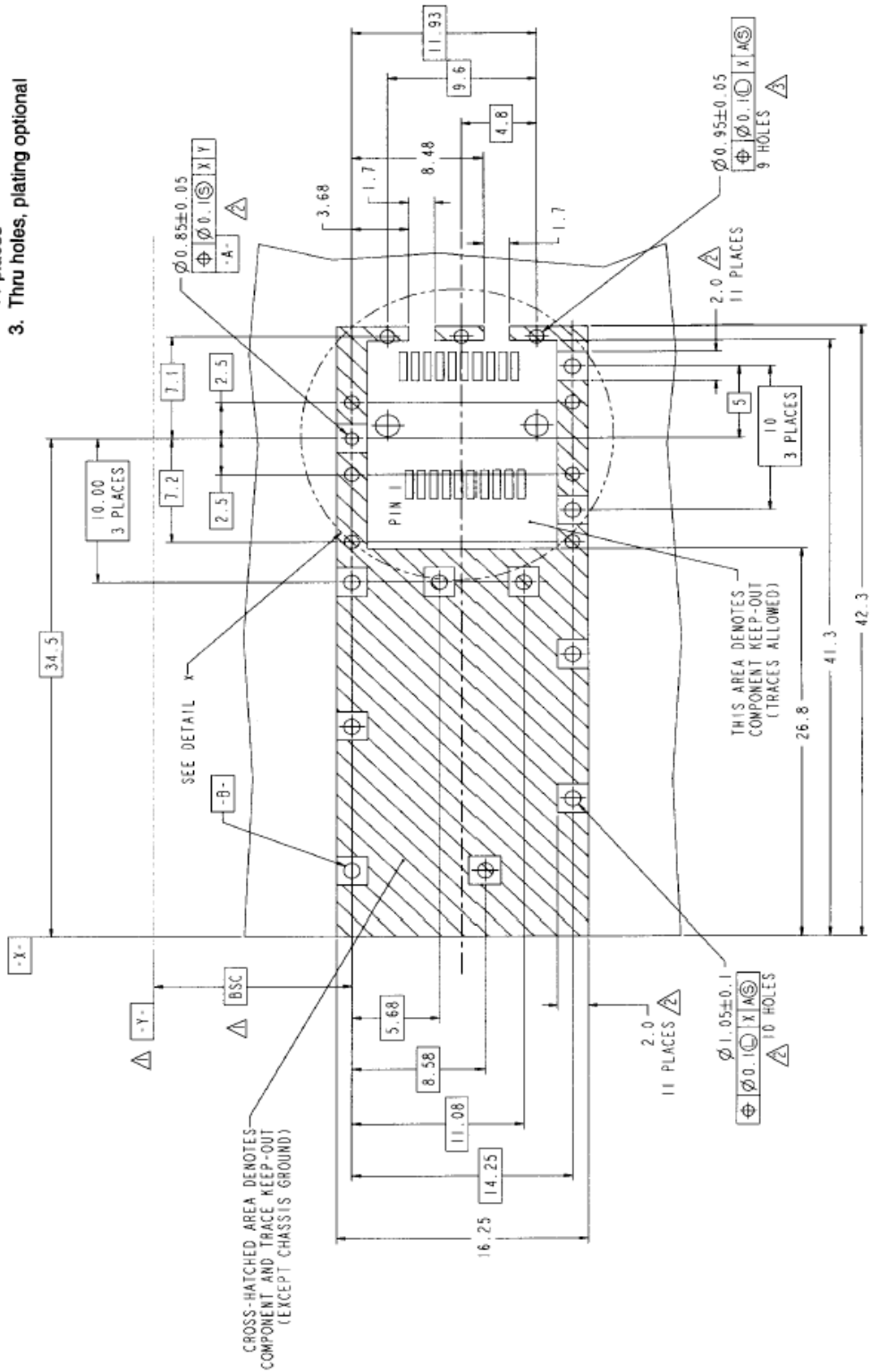
Mechanical Dimensions (Units in mm)



References (From SFP MSA September 14, 2000 page 11, 12, 13, and 23)

1. SFP Host PCB layout

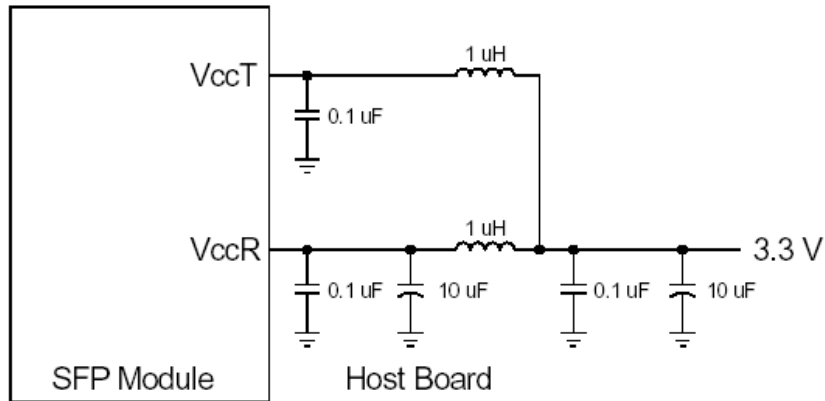
- Notes:
1. Datum and basic dimensions established by customer
  2. Pads and vias are chassis ground, .11 places
  3. Thru holes, plating optional



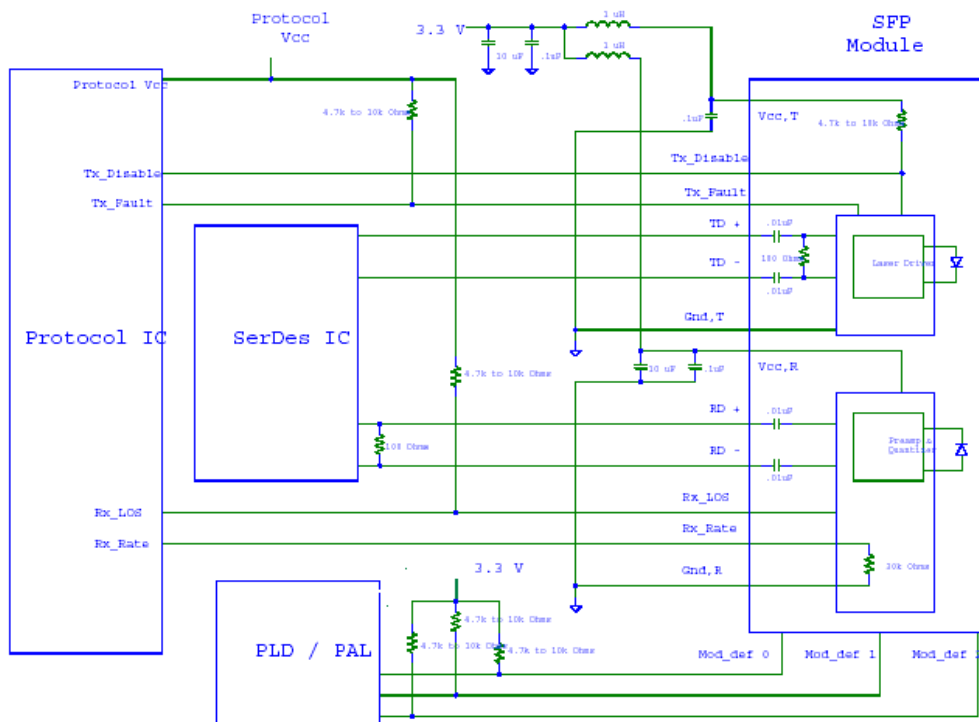




**2.Application Circuit**



**Figure 2A. Recommended Host Board Supply Filtering Network**



**Figure 2B. Example SFP Host Board Schematic**