

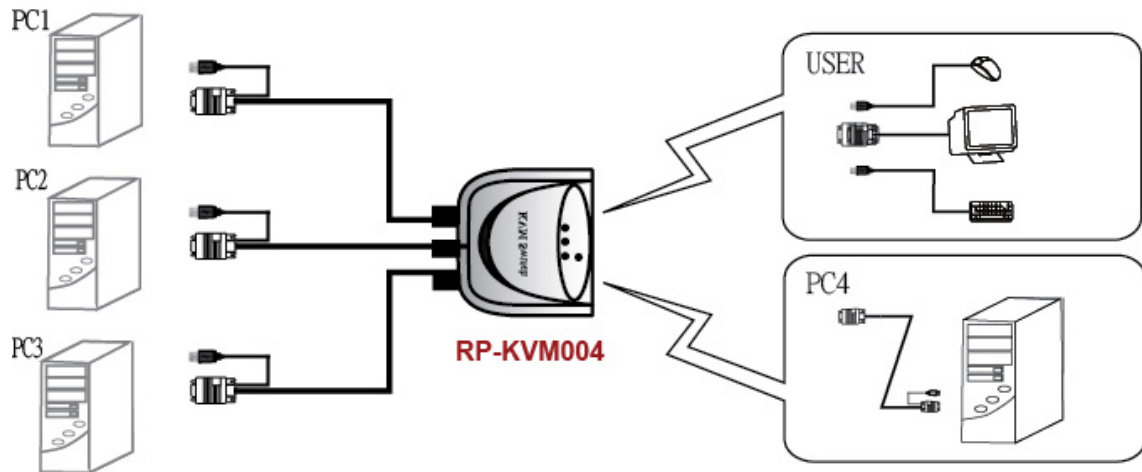
**RP-KVM004****4-P KVM Switch with integrated Cables****Features**

- Improve switch speed
- Fully USB v1.1 specification compliant
- Access 4 computers by one KVM switch
- Support both “panel button” and “hot key” to switch among computers
- Support auto-scan mode for users to monitor computers easily
- Supports windows, MAC, Linux, FreeBSD and Sun system
- Support 2 USB downstream ports for USB Keyboard and Mouse
- Support 1 PS2 downstream port for PS2 Keyboard
- Support its driver-free and plug-n-play

**Specifications**

<b>PC side connector</b>	HD-15M x4 USB A Type x4
<b>Console side connector</b>	HD-15M x4 USB A Type x4
<b>PC selection method</b>	Hot Key
<b>Max. Resolution</b>	1920 x 1440
<b>Video Bandwidth</b>	250MHz
<b>Horizontal Frequency</b>	380KHz
<b>Vertical Frequency</b>	43~250Hz
<b>Housing</b>	Plastic

## Application



## Ordering information

**RP-KVM004** 4-P KVM Switch with integrated Cables