



## RP-ISG500

### 5-P Gigabit Industrial Ethernet Switch

RP-ISG500 is a 5-P Gigabit Industrial Switch. RP-ISG500 is designed for supporting standard industrial applications without complex setup to make the network truly plug-and-play. RP-ISG500 can be used to connect several Ethernet devices like Ethernet I/O, IP-Camera or other Ethernet switches. In addition, RP-ISG500 provides wide power input voltage range +12 ~ + 56Vdc for application flexibility which secures equipment against unregulated voltage and makes systems safer and more reliable. RP-ISG500 accepts 3 power input sources: PW1, PW2, and Power DIN (or external power adapter).

With the 5 10/100/1000Mbps Gigabit Ethernet ports, RP-ISG500 provides non-blocking switch fabric and wire-speed throughput as high as 10Gbps and performs wire-speed packets transfer without risk of packet loss.

The protection of compact IP-30 standard metal case allows for either DIN rail or wall mounting for efficient use of cabinet space.

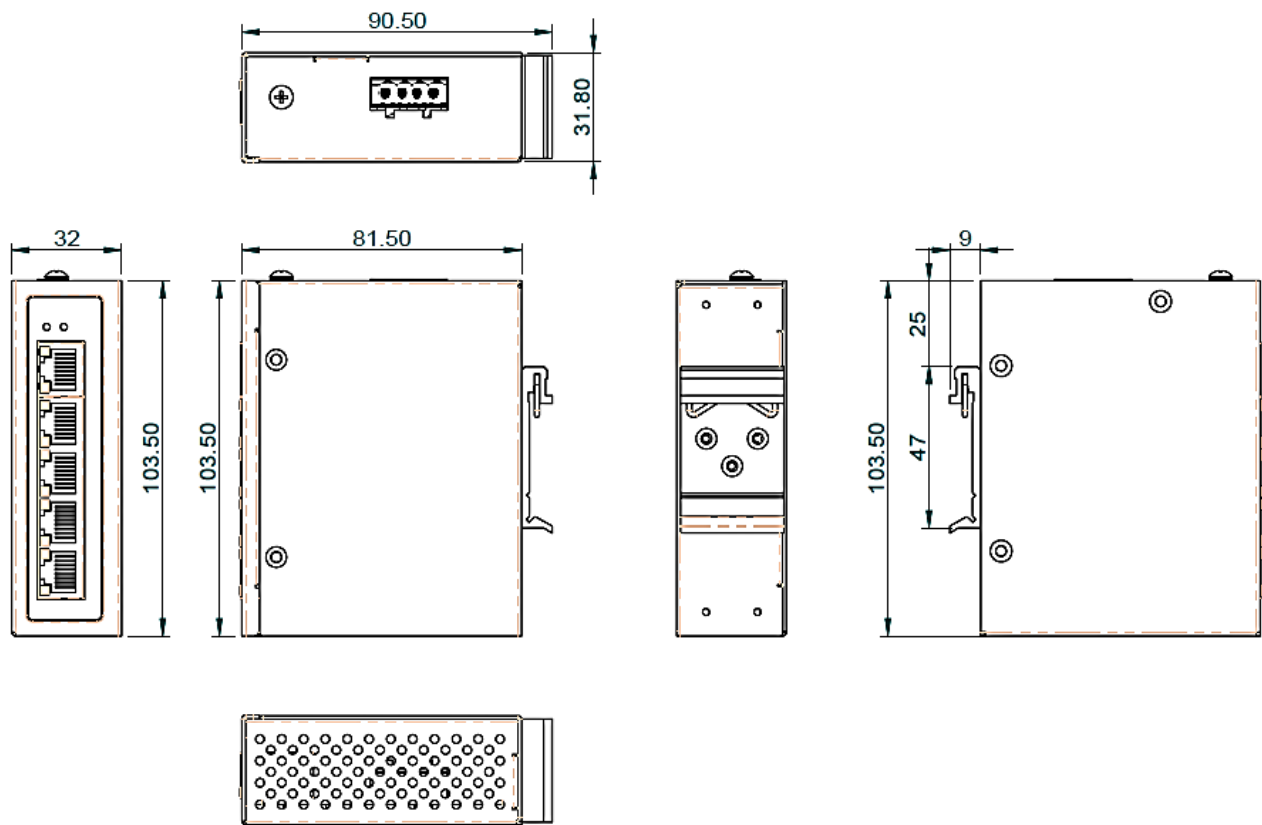
### Feature

- RJ-45 port support Auto MDI/MDI-X Function
- Store-and-Forward Switching Architecture
- Back-plane (Switching Fabric): 10Gbps
- 1Mbits Memory Buffer
- 8K MAC Address Table
- Power Polarity Reverse Protect
- With Overload Current Re-settable Fuse
- IP-30 Protection
- DIN Rail and Wall Mount Design
- Redundant Dual Power Input 12VDC-56VDC or 18VAC-36VAC

## Specification

<b>Standards</b>	<ul style="list-style-type: none"> <li>● IEEE 802.3 10Base-T Ethernet</li> <li>● IEEE 802.3u 100Base-TX Fast Ethernet</li> <li>● IEEE 802.3ab 1000Base-T Gigabit Ethernet</li> <li>● IEEE802.3x Flow Control and Back Pressure</li> </ul>	
<b>Switch Architecture</b>	<ul style="list-style-type: none"> <li>● Back-plane (Switching Fabric): 10Gbps</li> </ul>	
<b>Data Processing</b>	<ul style="list-style-type: none"> <li>● Store and Forward</li> </ul>	
<b>Flow Control</b>	<ul style="list-style-type: none"> <li>● IEEE 802.3x Flow Control and Back Pressure</li> </ul>	
<b>Jumbo Frame</b>	<ul style="list-style-type: none"> <li>● 9KB</li> </ul>	
<b>MAC Table Size</b>	<ul style="list-style-type: none"> <li>● 8K</li> </ul>	
<b>Packet Buffer Size</b>	<ul style="list-style-type: none"> <li>● 1Mbits</li> </ul>	
<b>Network Connector</b>	<ul style="list-style-type: none"> <li>● 5 RJ-45 Port: 10/100/1000BaseT(X) auto negotiation, Auto MDI/MDI-X function, Full/Half duplex</li> </ul>	
<b>Network Cable</b>	<ul style="list-style-type: none"> <li>● UTP/STP above Cat.5e Cable, EIA/TIA-568 100-ohm (100m)</li> </ul>	
<b>Protocol</b>	<ul style="list-style-type: none"> <li>● CSMA/CD</li> </ul>	
<b>LED</b>	<ul style="list-style-type: none"> <li>● PW1(Green), PW2(Green)</li> <li>● TX/RJ-45 port: LNK (Green), SPD (Amber)</li> </ul>	
<b>Reserve polarity protection</b>	<ul style="list-style-type: none"> <li>● Present</li> </ul>	
<b>Overload current protection</b>	<ul style="list-style-type: none"> <li>● Present</li> </ul>	
<b>Power Supply</b>	<ul style="list-style-type: none"> <li>● Redundant Dual Power Input 12VDC-56VDC or 18VAC-36VAC</li> </ul>	
<b>Power Consumption</b>	<ul style="list-style-type: none"> <li>● 2.76W@48 VDC full load</li> </ul>	
<b>Removable Terminal Block</b>	<ul style="list-style-type: none"> <li>● Provide 2 Redundant power, 4 Pin</li> <li>● Wire range: 0.34mm<sup>2</sup> to 2.5mm<sup>2</sup></li> <li>● Solid wire (AWG):12-24/14-22</li> <li>● Stranded wire(AWG): 12-24/14-22</li> <li>● Torque:5lb-In/0.5Nm/0.56Nm</li> <li>● Wire Strip length: 7-8mm</li> </ul>	
<b>Environment</b>	<ul style="list-style-type: none"> <li>● Operating temperature : -40°C~75°C</li> <li>● Storage temperature: -40°C ~85°C</li> <li>● Operating Humidity: 5% to 95% (Non-Condensing)</li> </ul>	
<b>Housing</b>	<ul style="list-style-type: none"> <li>● Rugged Aluminum, IP30 protection</li> </ul>	
<b>Dimension</b>	<ul style="list-style-type: none"> <li>● 103.5 x 32 x 81.5 mm (LxWxD)</li> </ul>	
<b>Installation mounting</b>	<ul style="list-style-type: none"> <li>● DIN Rail mounting and Wall Mounting</li> </ul>	
<b>Certification</b>	<b>Safety</b>	<ul style="list-style-type: none"> <li>● LVD (EN62368-1)</li> </ul>
	<b>EMC</b>	<ul style="list-style-type: none"> <li>● CE, FCC, EN 55032/35</li> </ul>
	<b>EMI</b>	<ul style="list-style-type: none"> <li>● CISPR 32, FCC Part 15B Class A</li> </ul>
	<b>EMS</b>	<ul style="list-style-type: none"> <li>● IEC 61000-4-2 ESD: Contact: 6KV; Air: 8KV</li> <li>● IEC 61000-4-4 EFT: Power: 2KV; Signal: 2KV</li> <li>● IEC 61000-4-5 Surge: Power: 2KV; Signal: 2KV</li> </ul>
	<b>Stability Testing</b>	<ul style="list-style-type: none"> <li>● Vibration EN 60068-2-6, Shock EN 60068-2-27, Free Fall EN 60068-2-32</li> </ul>

## Diagram



## Ordering information

**RP-ISG500**

5-P Gigabit Industrial Ethernet Switch