



## RP-IPG421-12V

### **4-P Gigabit + 1-TP/SFP combo + 1-SFP(100/1G) slot Industrial Switch W/ 4-Port PoE+**

RP-IPG421-12V Industrial Ethernet Switch with PoE+ feature complies with IEEE802.3af and IEEE802.3at. It delivers 30watts power per PoE port and total power budget of 120Watts at 24/48/56VDC, 60W at 12VDC power input to PD devices and 2 SFP slots are supported.

RP-IPG421-12V provides wide power input voltage range +12 ~ + 56Vdc, it not only boosts up Input Voltage, but also reduces the excessive heat problem to a minimum ,and that secures equipment against unregulated voltage and makes systems safer and more reliable.

The protection of IP-30 standard industrial case allows for either DIN rail or wall mounting for efficient use of cabinet space. Its wide operating temperature ranges from -40°C to 75°C under harsh environment.

## Features

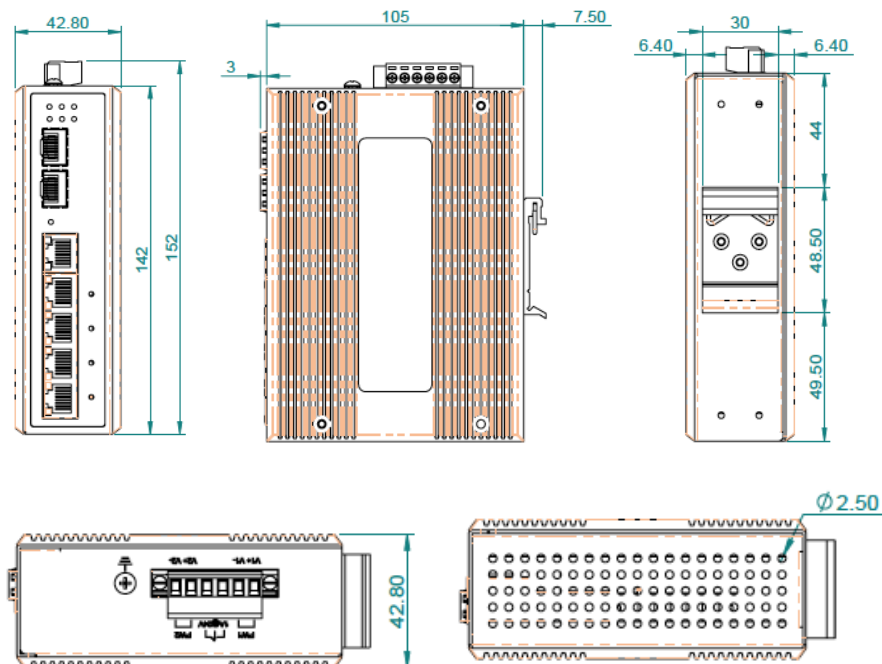
- Supports PSE. based on IEEE 802.3at up to 30 Watts per port
- SFP port supports 100Base-FX and 1000Base-X speed
- Support dual wide range12~56VDC power inputs for power redundancy
- Support overload current protection
- Support reverse polarity protection
- Supports auto-negotiation and auto-MDI/MDI-X
- Supports store and forward transmission
- Supports flow control
- Rugged Aluminum heat sink IP-30 housing design
- DIN-Rail and wall mounting enabled

## Specifications

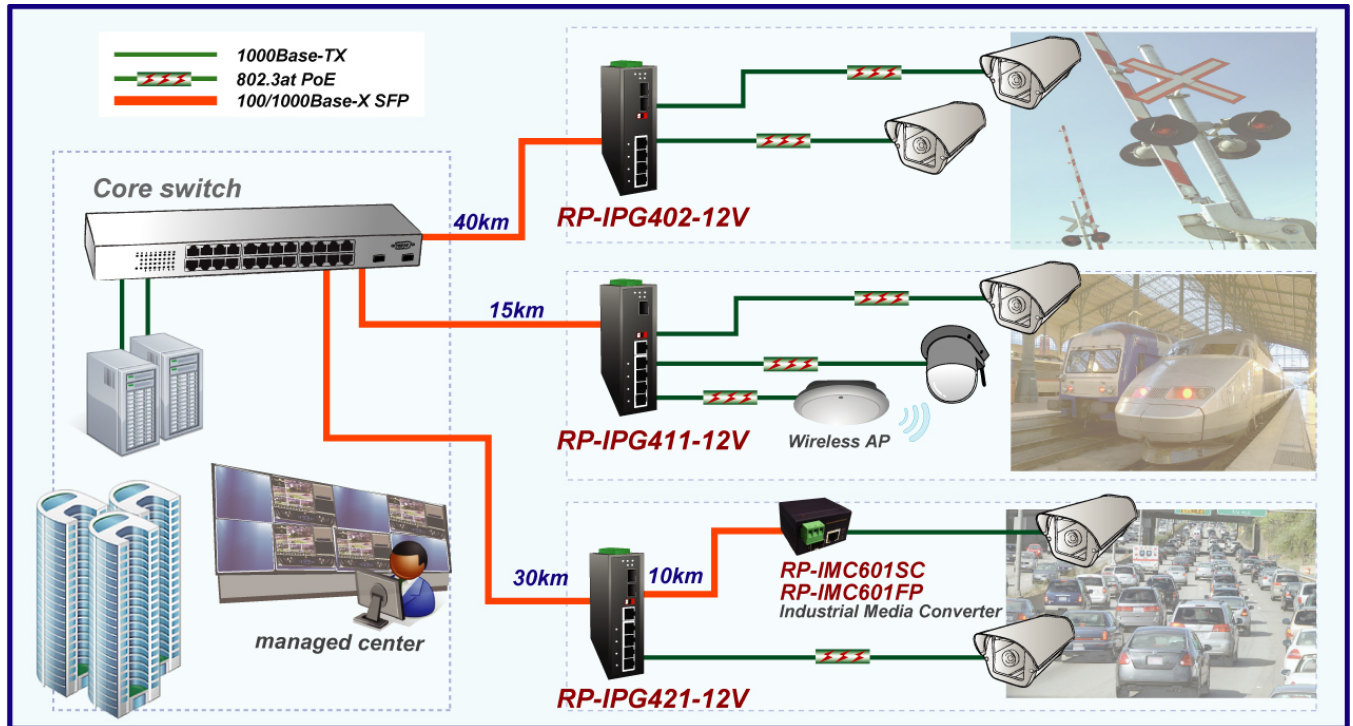
<b>Standards</b>	<ul style="list-style-type: none"> <li>• IEEE 802.3 10Base-T Ethernet</li> <li>• IEEE 802.3u 100Base-TX Fast Ethernet</li> <li>• IEEE 802.3ab 1000Base-T Gigabit Ethernet</li> <li>• IEEE 802.3z 1000Base-X Gigabit Ethernet</li> <li>• IEEE802.3x Flow Control and Back Pressure,</li> <li>• IEEE802.3af for PoE</li> <li>• IEEE802.3at for PoE+</li> </ul>
<b>Switch Architecture</b>	<ul style="list-style-type: none"> <li>• Back-plane (Switching Fabric): 12Gbps</li> </ul>
<b>Data Processing</b>	<ul style="list-style-type: none"> <li>• Store and Forward</li> </ul>
<b>Flow Control</b>	<ul style="list-style-type: none"> <li>• IEEE 802.3x Flow Control and Back Pressure</li> </ul>
<b>Jumbo Frame</b>	<ul style="list-style-type: none"> <li>• 9KB</li> </ul>
<b>MAC Table Size</b>	<ul style="list-style-type: none"> <li>• 1K</li> </ul>
<b>Packet Buffer Size</b>	<ul style="list-style-type: none"> <li>• 1Mbits</li> </ul>
<b>Network Connector</b>	<ul style="list-style-type: none"> <li>• 5 RJ-45 Port: 10/100/1000BaseT(X) auto negotiation, 4 Gigabit PoE+ 802.3at/af PSE port, Auto MDI/MDI-X function, Full/Half duplex</li> <li>• 2 SFP slots: 100/1000M Base-X</li> </ul>
<b>Network Cable</b>	<ul style="list-style-type: none"> <li>• UTP/STP above Cat.5e Cable, EIA/TIA-568 100-ohm (100m)</li> <li>• Fiber Cable (Multi-mode):50/125um,62.5/125um</li> <li>• Fiber Cable (Single-mode): 9/125um</li> </ul>
<b>Protocol</b>	<ul style="list-style-type: none"> <li>• CSMA/CD</li> </ul>
<b>LED</b>	<ul style="list-style-type: none"> <li>• PW1(Green), PW2(Green), ERR(Amber)</li> <li>• RJ-45 port: LNK (Green), SPD-1000M(Amber), 10/100M(OFF) ,</li> <li>• SFP port: Link (Green)</li> </ul>
<b>DIP Switch</b>	<ul style="list-style-type: none"> <li>• DIP 1: OFF- Port 5 SFP (Default) ; ON- Port 5 TX</li> <li>• DIP 2: OFF- SFP 1000M (Default) ; ON- SFP 100M</li> </ul>
<b>Reserve polarity protection</b>	<ul style="list-style-type: none"> <li>• Present</li> </ul>
<b>Overload current protection</b>	<ul style="list-style-type: none"> <li>• Present</li> </ul>
<b>Power Supply</b>	<ul style="list-style-type: none"> <li>• Redundant Dual DC 12V-56V Power Input</li> </ul>
<b>Power Consumption</b>	<ul style="list-style-type: none"> <li>• 5.76W @12/24/48 VDC full load, Without PoE</li> </ul>
<b>Alarm Relay Contact</b>	<ul style="list-style-type: none"> <li>• Relay outputs with current carrying capacity of 1A @24VDC</li> <li>• Relay in short circuit mode when 2 powers are connected. in open circuit mode when only one power supply is connected</li> </ul>
<b>PoE power budget</b>	<ul style="list-style-type: none"> <li>• Per port 30W, Max.36W per port at 12/24/48 VDC input</li> <li>• Max. 120W @24/48VDC power input</li> <li>• Max. 60W @ 12VDC power input</li> </ul>

<b>Removable Terminal Block</b>	<ul style="list-style-type: none"> <li>• Provide 2 Redundant power ,Alarm relay contact ,6 Pin</li> <li>• Wire range: 0.34mm<sup>2</sup> to 2.5mm<sup>2</sup></li> <li>• Solid wire (AWG):12-24/14-22</li> <li>• Stranded wire (AWG): 12-24/14-22</li> <li>• Torque:5lb-In/0.5Nm/0.56Nm</li> <li>• Wire Strip length: 7-8mm</li> </ul>
<b>Environment</b>	<ul style="list-style-type: none"> <li>• Operating Temperature: -40°C ~ 75°C</li> <li>• Storage Temperature: -40°C ~ 85°C</li> <li>• Operating Humidity: 5% to 95% (Non-condensing)</li> </ul>
<b>Housing</b>	<ul style="list-style-type: none"> <li>• Rugged Metal + Aluminum heat sink, IP30 Protection</li> </ul>
<b>Dimension</b>	<ul style="list-style-type: none"> <li>• 142 x 43 x 105mm (HxWxD)</li> </ul>
<b>Installation mounting</b>	<ul style="list-style-type: none"> <li>• DIN Rail mounting and Wall Mounting</li> </ul>
<b>EMC/EMS</b>	<ul style="list-style-type: none"> <li>• CE, FCC</li> </ul>
<b>EMI</b>	<ul style="list-style-type: none"> <li>• FCC Part 15 Subpart B Class A</li> <li>• CE EN 55022 Class A</li> </ul>
<b>Safety</b>	<ul style="list-style-type: none"> <li>• IEC EN60950-1</li> </ul>
<b>Stability Testing</b>	<ul style="list-style-type: none"> <li>• EN 50155 / EN 60068-2-6 (Vibration), EN 50155 / EN 60068-2-27(Shock), EN 50155 / EN 60068-2-32(Free Fall), EN50155 / EN50121-3, EN50155 / EN50121-4(Rail Road)</li> </ul>

## Diagram



## Application



## Ordering information

**RP-IPG421-12V** 4-P Gigabit + 1-TP/SFP combo + 1-SFP(100/1G) slot Industrial Switch, W/ 4-Port PoE+