



RP-IPG402-12V

4-P Gigabit + 2-SFP(100/1G) slot Industrial Switch, W/ 4-Port PoE+

RP-IPG402-12V Industrial Ethernet Switch with PoE+ feature complies with IEEE802.3af and IEEE802.3at. It delivers 30watts power per PoE port and total power budget of 120Watts at 24/48/56VDC, 65W at 12VDC power input to PD devices and 2 SFP slots are supported.

RP-IPG402-12V provides wide power input voltage range +12 ~ + 56Vdc, it not only boosts up Input Voltage, but also reduces the excessive heat problem to a minimum ,and that secures equipment against unregulated voltage and makes systems safer and more reliable.

The protection of IP-30 standard industrial case allows for either DIN rail or wall mounting for efficient use of cabinet space. Its wide operating temperature ranges from -40°C to 75°C under harsh environment.

Features

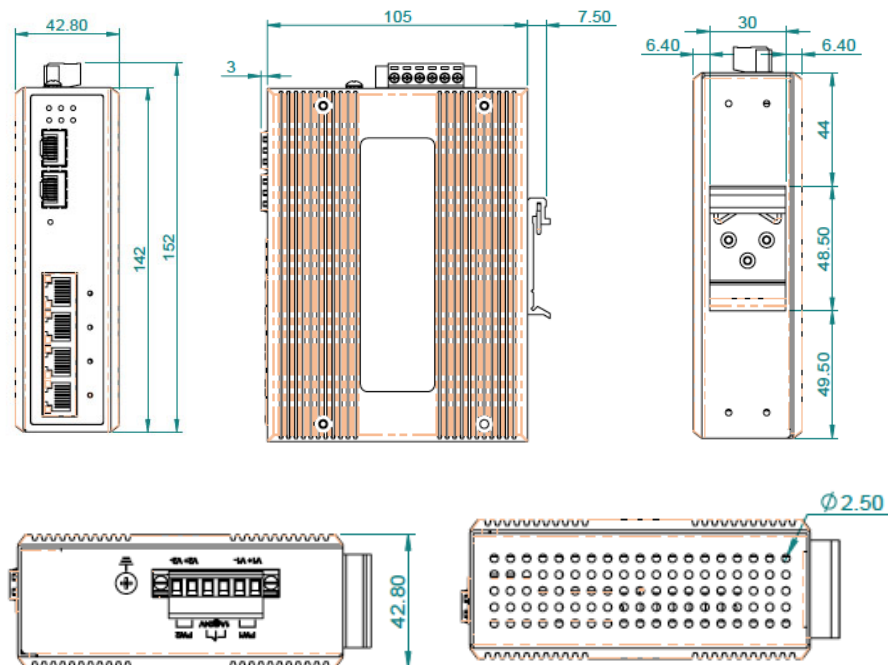
- Supports PSE. based on IEEE 802.3at up to 30 Watts per port
- SFP port supports 100Base-FX and 1000Base-X speed
- Support dual wide range12~56VDC power inputs for power redundancy
- Support overload current protection
- Support reverse polarity protection
- Supports auto-negotiation and auto-MDI/MDI-X
- Supports store and forward transmission
- Supports flow control
- Rugged Aluminum heat sink IP-30 housing design
- DIN-Rail and wall mounting enabled

Specifications

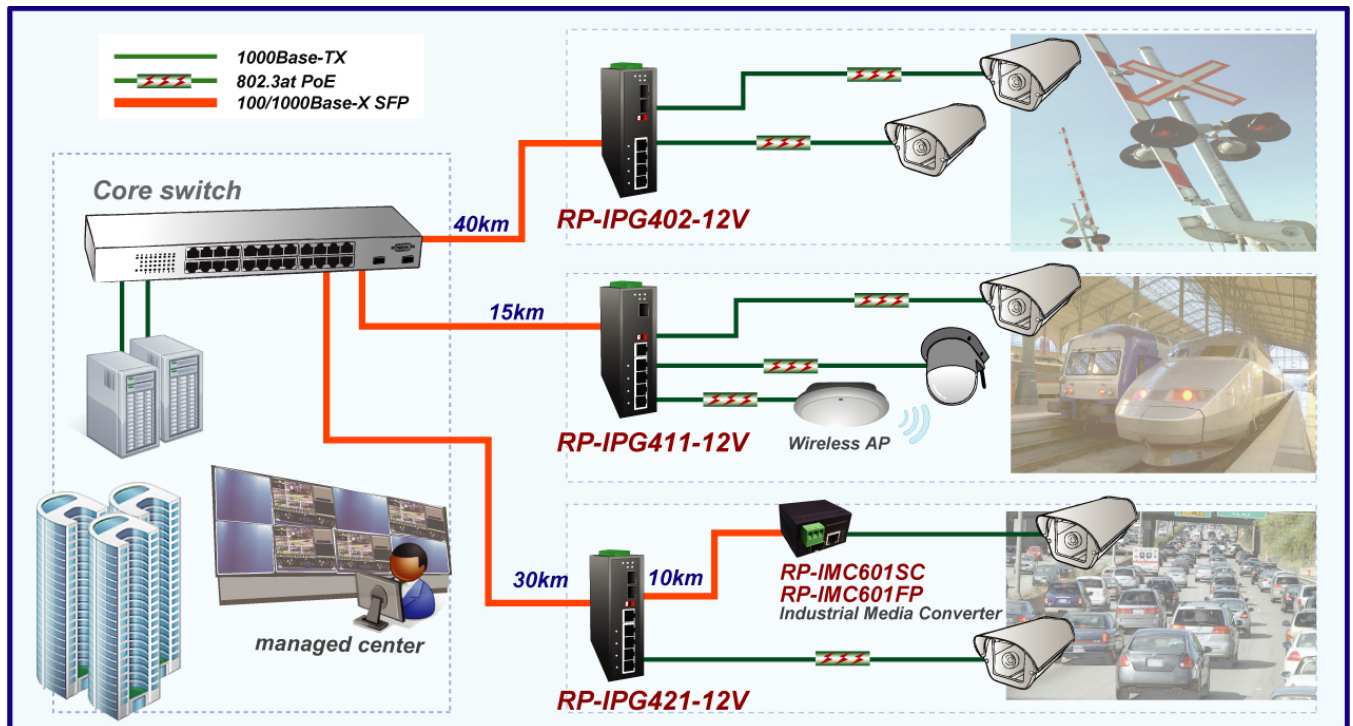
Standards	<ul style="list-style-type: none"> • IEEE 802.3 10Base-T Ethernet • IEEE 802.3u 100Base-TX Fast Ethernet • IEEE 802.3ab 1000Base-T Gigabit Ethernet • IEEE 802.3z 1000Base-X Gigabit Ethernet • IEEE802.3x Flow Control and Back Pressure, • IEEE802.3af for PoE • IEEE802.3at for PoE+
Switch Architecture	<ul style="list-style-type: none"> • Back-plane (Switching Fabric): 12Gbps
Data Processing	<ul style="list-style-type: none"> • Store and Forward
Flow Control	<ul style="list-style-type: none"> • IEEE 802.3x Flow Control and Back Pressure
Jumbo Frame	<ul style="list-style-type: none"> • 9KB
MAC Table Size	<ul style="list-style-type: none"> • 1K
Packet Buffer Size	<ul style="list-style-type: none"> • 1Mbits
Network Connector	<ul style="list-style-type: none"> • 4 RJ-45 Port: 10/100/1000BaseT(X) auto negotiation, 4 Gigabit PoE+ 802.3at/af PSE port, Auto MDI/MDI-X function, Full/Half duplex • 2 SFP slots: 100/1000M Base-X
Network Cable	<ul style="list-style-type: none"> • UTP/STP above Cat.5e Cable, EIA/TIA-568 100-ohm (100m) • Fiber Cable (Multi-mode):50/125um,62.5/125um • Fiber Cable (Single-mode): 9/125um
Protocol	<ul style="list-style-type: none"> • CSMA/CD
LED	<ul style="list-style-type: none"> • PW1(Green), PW2(Green), ERR(Amber) • RJ-45 port: LNK (Green), SPD-1000M(Amber), 10/100M(OFF) , • SFP port: Link (Green)
DIP Switch	<ul style="list-style-type: none"> • DIP 1: OFF- Port 5 SFP (Default) ; ON- Port 5 TX • DIP 2: OFF- SFP 1000M (Default) ; ON- SFP 100M
Reserve polarity protection	<ul style="list-style-type: none"> • Present
Overload current protection	<ul style="list-style-type: none"> • Present
Power Supply	<ul style="list-style-type: none"> • Redundant Dual DC 12V-56V Power Input
Power Consumption	<ul style="list-style-type: none"> • 5.76W @12/24/48 VDC full load, Without PoE
Alarm Relay Contact	<ul style="list-style-type: none"> • Relay outputs with current carrying capacity of 1A @24VDC • Relay in short circuit mode when 2 powers are connected. in open circuit mode when only one power supply is connected
PoE power budget	<ul style="list-style-type: none"> • Per port 30W, Max.36W per port at 12/24/48/56 VDC input • Max. 120W @24/48/56VDC power input • Max. 65W @ 12VDC power input

Removable Terminal Block	<ul style="list-style-type: none"> • Provide 2 Redundant power ,Alarm relay contact ,6 Pin • Wire range: 0.34mm² to 2.5mm² • Solid wire (AWG):12-24/14-22 • Stranded wire (AWG): 12-24/14-22 • Torque:5lb-In/0.5Nm/0.56Nm • Wire Strip length: 7-8mm
Environment	<ul style="list-style-type: none"> • Operating Temperature: -40°C ~ 75°C • Storage Temperature: -40°C ~ 85°C • Operating Humidity: 5% to 95% (Non-condensing)
Housing	<ul style="list-style-type: none"> • Rugged Metal + Aluminum heat sink, IP30 Protection
Dimension	<ul style="list-style-type: none"> • 142 x 43 x 105mm (HxWxD)
Installation mounting	<ul style="list-style-type: none"> • DIN Rail mounting and Wall Mounting
EMC/EMS	<ul style="list-style-type: none"> • CE, FCC
EMI	<ul style="list-style-type: none"> • FCC Part 15 Subpart B Class A • CE EN 55022 Class A
Safety	<ul style="list-style-type: none"> • IEC EN60950-1
Stability Testing	<ul style="list-style-type: none"> • EN 50155 / EN 60068-2-6 (Vibration), EN 50155 / EN 60068-2-27(Shock), EN 50155 / EN 60068-2-32(Free Fall), EN50155 / EN50121-3, EN50155 / EN50121-4(Rail Road)

Diagram



Application



Ordering information

RP-IPG402-12V 4-P Gigabit + 2-SFP(100/1G) slot Industrial Switch, W/ 4-Port PoE+

REPOTEC CO., LTD.

3F., No.258, Liancheng Rd., Zhonghe District., New Taipei City 235, Taiwan

TEL: 886-2-8227-1888 FAX: 886-2-8227-1818