

RP-IMC811FPB-60W

10/100/1000Base-TX to 100/1000Base-X SFP Industrial PoE+ Media Converter

RP-IMC811FPB-60W is an Industrial PoE Converter that stands out for its exceptional stability and environmental adaptability. This converter is equipped with a 10/100/1000BASE-T RJ45 copper port and a slot for a 100/1000BASE-X SFP module, offering versatile connectivity options to suit various network devices. It adheres to IEEE 802.3af/at standards, delivering a robust PoE power budget of up to 60W. The innovative Cold-Design not only efficiently powers the connected PD device but also minimizes excessive heat, ensuring optimal performance and device longevity.

Operating in a temperature range from -40 to 75°C, the RP-IMC811FPB-60W can thrive in even the most challenging environments. This adaptability makes it a reliable solution for a wide range of applications, including scenarios with extreme temperature variations. Additionally, the IP30 industrial case protection provides a high level of immunity against corrosion and electromagnetic interference, enhancing the device's resilience. The converter's flexible installation options, allowing either DIN rail or wall mounting, make it an efficient space-utilizing choice for deployment in various industrial setups.

RP-IMC811FPB-60W combines adherence to PoE standards, a wide operating temperature range, industrial-grade protection, and versatile installation options. Its ability to maintain stable performance in demanding environments, coupled with efficient power delivery and space efficiency, makes it a valuable asset for critical applications where reliability, adaptability, and robustness are key requirements.

Features

- Supports 48V-56VDC Power Input
- Configurable SFP Speed: 100M or 1000M
- 60W PoE Output Power Support
- Supports Link Fault Pass through (LFP) function
- Supports automatically switch mode and converter mode
- Provides Far End Fault function on FX
- Surge protection on power input
- ESD protection on RJ-45 port



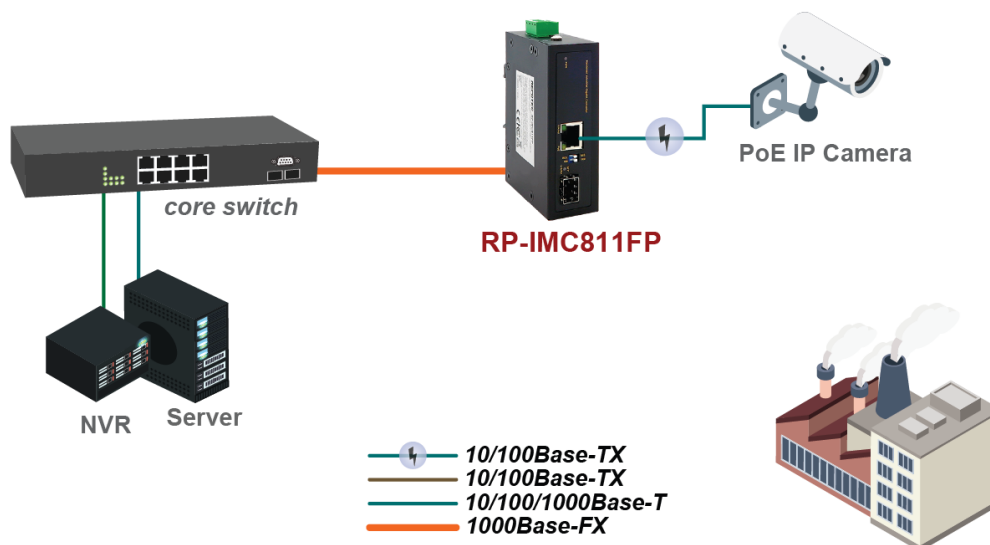
- Provides Far End Fault function on FX
- Provides increased Noise Immunity
- Operating Temperature Range: -40°C to +75°C

Specifications

Standards	<ul style="list-style-type: none"> • IEEE 802.3 10Base-T Ethernet, • IEEE 802.3u 100Base-TX Fast Ethernet • IEEE 802.3ab 1000Base-T Gigabit Ethernet • IEEE 802.3z 1000Base-X Gigabit Ethernet • IEEE802.3x Flow Control and Back Pressure • IEEE802.3af/at PoE
Data Processing	<ul style="list-style-type: none"> • Ports speed are the same: Converter mode • Ports speed are not the same: Switch mode (store and forward)
Flow Control	<ul style="list-style-type: none"> • IEEE 802.3x Flow Control and Back Pressure
Switch Architecture	<ul style="list-style-type: none"> • Back-plane (Switching Fabric): 4Gbps
MAC Table Size	<ul style="list-style-type: none"> • 1K
Jumbo Frame	<ul style="list-style-type: none"> • 16KB
Packet Buffer Size	<ul style="list-style-type: none"> • 512Kbits
Interface	<ul style="list-style-type: none"> • 1x RJ-45 10/100/1000BaseT(X) PSE with PoE Output power up to 60Watts • 1x 100/1000M SFP slot
Network Cable	<ul style="list-style-type: none"> • UTP/STP above Cat.5e Cable • EIA/TIA-568 10-ohm (100m)
Protocol	<ul style="list-style-type: none"> • CSMA/CD
POE Pin Assignment	<ul style="list-style-type: none"> • 60 watts 4 pairs Pin 1 (V+), 2 (V+), 3 (V-), 6 (V-) Pin 4 (V+), 5 (V+), 7 (V-), 8 (V-)
LED indicators	<ul style="list-style-type: none"> • PWR (Green) • SFP Lnk/Act (Green) • RJ-45: Lnk/Act (Green), PoE (Amber)
DIP Switch	<ul style="list-style-type: none"> • DIP1: OFF – LFP disabled (Default); ON – LFP enabled • DIP 2: OFF – SFP speed 1000M (Default); ON – SFP speed 100M • Link Fault Pass Through (LFP) is when copper side signal lost or disconnect, fiber side link signal will actively off, when fiber side signal lost or disconnect, copper side link signal will also actively off.
Reverse polarity	<ul style="list-style-type: none"> • Present

protection	
Overload current protection	<ul style="list-style-type: none"> • Present
Power Supply	<ul style="list-style-type: none"> • 4 pin terminal block with 48V-56V VDC Power Input • RLY: Relay switch for alarm
Alarm Relay Contact	<ul style="list-style-type: none"> • Relay outputs with current carrying capacity of 1 A @24VDC, • Relay in short circuit mode when power fails. in open circuit mode when power supply is connected
Power Consumption	<ul style="list-style-type: none"> • 3W @48 VDC full load, Without PoE
PoE power budget	<ul style="list-style-type: none"> • Max. PoE power 60watts at 56VDC input
Removable Terminal Block	<ul style="list-style-type: none"> • Provide 4 pin terminal block • Wire range: 0.34mm² to 2.5mm² • Solid wire (AWG):12-24 • Stranded wire(AWG): 12-24 • Torque:5lb-In/0.5Nm/0.56Nm • Wire Strip length: 7-8mm
Operating Temperature	<ul style="list-style-type: none"> • -40°C~75°C
Operating Humidity	<ul style="list-style-type: none"> • 5% to 95% (Non-condensing)
Storage Temperature	<ul style="list-style-type: none"> • -40°C~85°C
Housing	<ul style="list-style-type: none"> • Rugged Metal, IP30 Protection
Dimension	<ul style="list-style-type: none"> • 103.5 x 32 x 81.5mm (LxWxD)
Installation mounting	<ul style="list-style-type: none"> • DIN Rail mounting and Wall Mounting
Safety	<ul style="list-style-type: none"> • IEC EN60950-1, LVD (EN62368-1)
EMC/EMS	<ul style="list-style-type: none"> • CE (EN 55032/35), FCC
EMI	<ul style="list-style-type: none"> • CISPR 32, FCC Part 15B Class A
EMS	<ul style="list-style-type: none"> • IEC 61000-4-2 ESD: Contact: 6KV; Air: 8KV • IEC 61000-4-4 EFT: Power: 2KV; Signal: 2KV • IEC 61000-4-5 Surge: Power: 2KV; Signal: 2KV
Vibration	<ul style="list-style-type: none"> • EN 50155 / EN 60068-2-6
Shock	<ul style="list-style-type: none"> • EN 50155 / EN 60068-2-27
Free Fall	<ul style="list-style-type: none"> • EN 50155 / EN 60068-2-32

Application



Ordering information

RP-IMC811FPB-60W 10/100/1000Base-TX to 100/1000Base-X SFP Industrial PoE+ Media Converter (60W)