

RP-IMC811FP-60W

10/100/1000Base-TX to 100/1000Base-X SFP Industrial PoE+ Media Converter

RP-IMC811FP-60W is an Industrial PoE Converter that stands out for its exceptional stability and environmental adaptability. This converter is equipped with a 10/100/1000BASE-T RJ45 copper port and a slot for a 100/1000BASE-X SFP module, offering versatile connectivity options to suit various network devices. It adheres to IEEE 802.3af/at standards, delivering a robust PoE power budget of up to 60W. The innovative Cold-Design not only efficiently powers the connected PD device but also minimizes excessive heat, ensuring optimal performance and device longevity.

Operating in a temperature range from -40 to 75°C, the RP-IMC811FP-60W can thrive in even the most challenging environments. This adaptability makes it a reliable solution for a wide range of applications, including scenarios with extreme temperature variations. Additionally, the IP30 industrial case protection provides a high level of immunity against corrosion and electromagnetic interference, enhancing the device's resilience. The converter's flexible installation options, allowing either DIN rail or wall mounting, make it an efficient space-utilizing choice for deployment in various industrial setups.

RP-IMC811FP-60W combines adherence to PoE standards, a wide operating temperature range, industrial-grade protection, and versatile installation options. Its ability to maintain stable performance in demanding environments, coupled with efficient power delivery and space efficiency, makes it a valuable asset for critical applications where reliability, adaptability, and robustness are key requirements.

Features

- Supports 48V-56VDC, Redundant power input
- Adjustable SFP speed 100M or 1000M
- PoE Output power up to 60Watts
- Reverse polarity protection
- Overload current protection
- ESD protection diodes on RJ-45 port
- 2K MAC Table
- 9KB Jumbo Frame



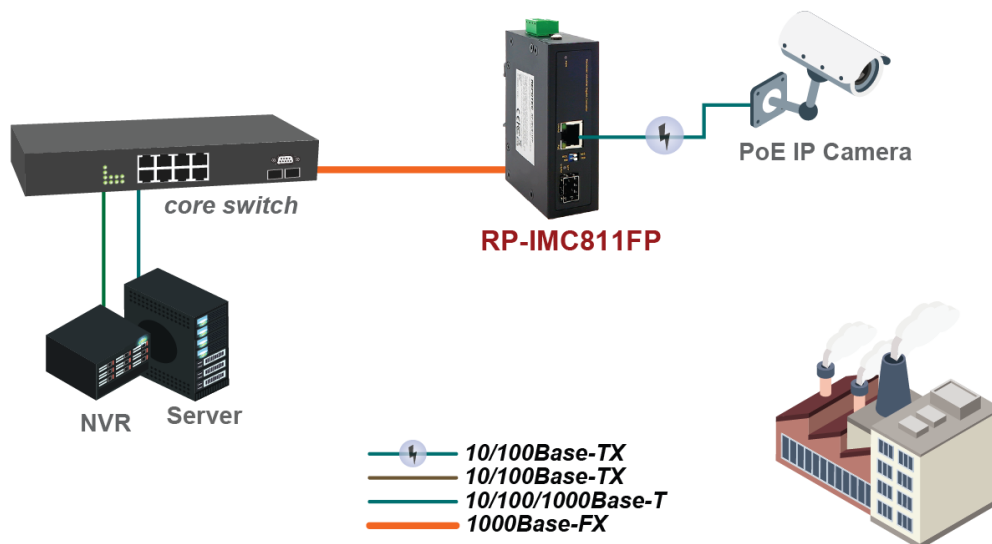
- Rugged Aluminum IP30 Protection enclosure
- Operating Temperature: -40°C to +75°C

Specifications

| | |
|------------------------------------|---|
| Standards | <ul style="list-style-type: none"> • IEEE 802.3 10Base-T Ethernet, • IEEE 802.3u 100Base-TX Fast Ethernet • IEEE 802.3ab 1000Base-T Gigabit Ethernet • IEEE 802.3z 1000Base-X Gigabit Ethernet • IEEE802.3x Flow Control and Back Pressure • IEEE802.3af/at PoE |
| Data Processing | <ul style="list-style-type: none"> • Store and Forward |
| Flow Control | <ul style="list-style-type: none"> • IEEE 802.3x Flow Control and Back Pressure |
| Switch Architecture | <ul style="list-style-type: none"> • Back-plane (Switching Fabric): 4Gbps |
| MAC Table Size | <ul style="list-style-type: none"> • 2K |
| Jumbo Frame | <ul style="list-style-type: none"> • 9KB |
| Packet Buffer Size | <ul style="list-style-type: none"> • 1M |
| Interface | <ul style="list-style-type: none"> • 1x RJ-45 10/100/1000BaseT(X) PSE with PoE Output power up to 30Watts or 60Watts • 1x 100/1000M SFP slot |
| Network Cable | <ul style="list-style-type: none"> • UTP/STP above Cat.5e Cable • EIA/TIA-568 10-ohm (100m) |
| Protocol | <ul style="list-style-type: none"> • CSMA/CD |
| POE Pin Assignment | <ul style="list-style-type: none"> • 60 watts 4 pairs Mode A End Span V+, V+, V-, V- for pin 1, 2, 3, 6 ; V+, V+, V-, V- for pin 4, 5, 7, 8 |
| LED indicators | <ul style="list-style-type: none"> • PWR (Green) • SFP Lnk/Act (Green) • RJ-45: Lnk/Act (Green), PoE (Amber) |
| DIP Switch | <ul style="list-style-type: none"> • Set SFP speed 100M or 1000M |
| Reverse polarity protection | <ul style="list-style-type: none"> • Present |
| Overload current protection | <ul style="list-style-type: none"> • Present |
| Power Supply | <ul style="list-style-type: none"> • 4 pin terminal block with 48V-56V VDC Power Input • SW (Relay): Relay switch for alarm |
| Alarm Relay Contact | <ul style="list-style-type: none"> • Relay outputs with current carrying capacity of 1 A @24VDC, • Relay in short circuit mode when power fails. • Relay in open circuit mode when power supply is connected |

| | |
|---------------------------------|--|
| Power Consumption | <ul style="list-style-type: none"> • 2W @48 VDC full load, Without PoE |
| PoE power budget | <ul style="list-style-type: none"> • Max. PoE power 72watts at 56VDC input |
| Removable Terminal Block | <ul style="list-style-type: none"> • Provide 4 pin terminal block • Wire range: 0.34mm² to 2.5mm² • Solid wire (AWG):12-24/14-22 • Stranded wire(AWG): 12-24/14-22 • Torque:5lb-In/0.5Nm/0.56Nm • Wire Strip length: 7-8mm |
| Operating Temperature | <ul style="list-style-type: none"> • -40°C~75°C |
| Operating Humidity | <ul style="list-style-type: none"> • 5% to 95% (Non-condensing) |
| Storage Temperature | <ul style="list-style-type: none"> • -40°C~85°C |
| Housing | <ul style="list-style-type: none"> • Rugged Aluminum ,IP30 Protection |
| Dimension | <ul style="list-style-type: none"> • 103.5 x 32 x 81.5mm (LxWxD) |
| Installation mounting | <ul style="list-style-type: none"> • DIN Rail mounting and Wall Mounting |
| Safety | <ul style="list-style-type: none"> • IEC EN60950-1 |
| EMC/EMS | <ul style="list-style-type: none"> • CE, FCC |
| EMI | <ul style="list-style-type: none"> • FCC Part 15 Subpart B Class A, CE EN 55022 Class A |
| Vibration | <ul style="list-style-type: none"> • EN 50155 / EN 60068-2-6 |
| Shock | <ul style="list-style-type: none"> • EN 50155 / EN 60068-2-27 |
| Free Fall | <ul style="list-style-type: none"> • EN 50155 / EN 60068-2-32 |

Application



Ordering information

RP-IMC811FP-60W 10/100/1000Base-TX to 100/1000Base-X SFP Industrial PoE+ Media Converter (60W)

REPOTEC CO., LTD.

3F., No.258, Liancheng Rd., Zhonghe District., New Taipei City 235, Taiwan

TEL: 886-2-8227-1888 FAX: 886-2-8227-1818