



RP-IMC801FP

10/100/1000M TX to 100/1000M SFP Industrial Media Converter

RP-IMC801FP stands as an Industrial Converter that excels in delivering superior performance, especially in terms of stability and environmental adaptability. This converter is equipped with a 10/100/1000BASE-T RJ45 copper port and a slot designed for a 100/1000BASE-X SFP module, offering versatile connectivity options to accommodate various network devices. Designed with Security, Transportation, and Telco applications in mind, the RP-IMC801FP is a reliable solution for extending network distances. It operates effectively in critical environments, making it well-suited for IP surveillance, traffic monitoring, and other security-related applications.

RP-IMC801FP offers a wide range of power options, supporting VDC input ranging from 12V to 56VDC. This adaptability enhances its versatility and ensures efficient power supply in diverse scenarios. Operating within a temperature range of -40 to 75 °C, the RP-IMC801FP is engineered to withstand harsh environmental conditions. This robust performance ensures a reliable network operation even in challenging environments with extreme temperature variations.

The converter's IP30 industrial case protection provides a high level of immunity against corrosion and electromagnetic interference, contributing to its durability and stability. Furthermore, RP-IMC801FP supports flexible installation options, allowing either DIN rail or wall mounting. This feature optimizes cabinet space utilization, providing a convenient and efficient deployment solution for various industrial setups. With its combination of robust performance, adaptability, and space-efficient design, the RP-IMC801FP emerges as a valuable asset for critical applications requiring dependable network performance in demanding environments.

Features

- Rugged design enclosure.
- Supports 12V-56VDC, Redundant power input
- Supports Link Fault Pass through (LFP) function
- Supports automatically switch mode and converter mode
- Adjustable SFP speed 100M or 1000M
- Surge protection on power input
- ESD protection on RJ-45 port

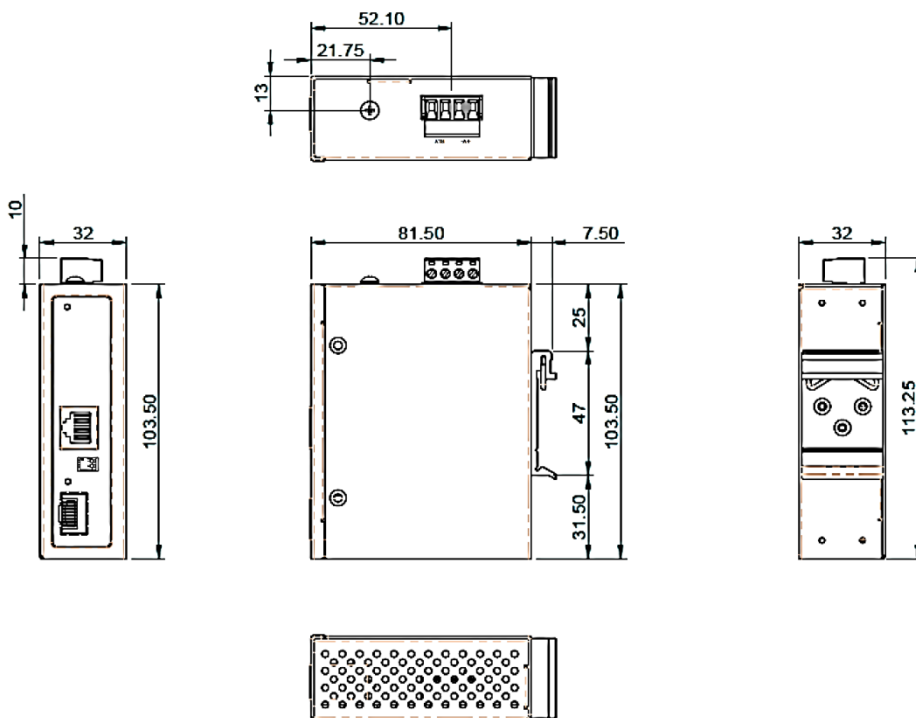
- Provides Far End Fault function on FX port
- Provides increased Noise Immunity
- Extended environmental specification -40°C to 75°C

Specifications

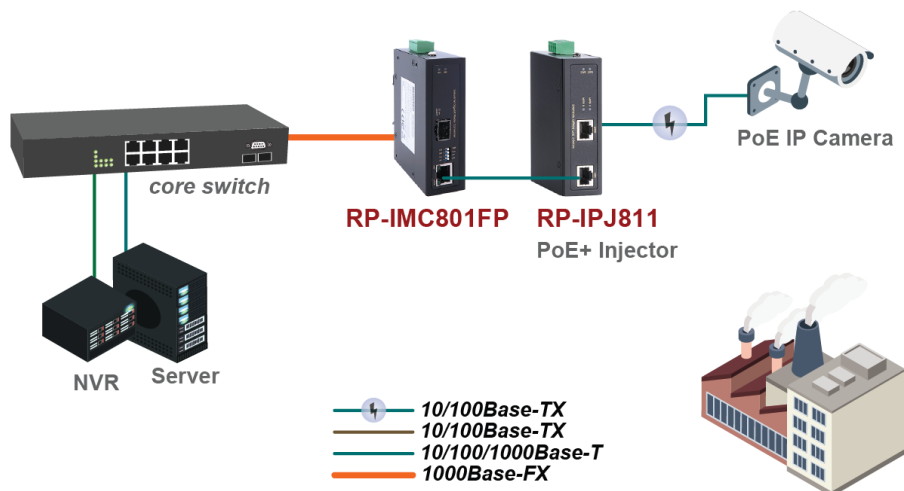
Standards	<ul style="list-style-type: none"> • IEEE 802.3 10Base-T Ethernet • IEEE 802.3u 100Base-TX Fast Ethernet • IEEE 802.3ab 1000Base-T Gigabit Ethernet • IEEE 802.3z 1000Base-X Gigabit Ethernet
Switch Architecture	<ul style="list-style-type: none"> • Back-plane (Switching Fabric): 4Gbps
Data Processing	<ul style="list-style-type: none"> • Store and Forward
Flow Control	<ul style="list-style-type: none"> • IEEE 802.3x Flow Control and Back Pressure
Jumbo Frame	<ul style="list-style-type: none"> • 16KB
Interface	<ul style="list-style-type: none"> • 1 x RJ-45 10/100/1000 Base-T(X) Auto MDI/MDI-X function, Full/Half duplex • 1 x 100/1000 BaseF(X) SFP
Network Cable	<ul style="list-style-type: none"> • UTP/STP above Cat.5e Cable • EIA/TIA-568 10-ohm (100m)
Protocol	<ul style="list-style-type: none"> • CSMA/CD
LED indicators	<ul style="list-style-type: none"> • PWR (Green) • TX LNK/ACT (Green) • SFP LNK/ACT (Green)
DIP Switch	<ul style="list-style-type: none"> • DIP1: LFP disabled / enabled • DIP 2: SFP speed 1000M / 100M • Link Fault Pass Through (LFP) is when copper side signal lost or disconnect, fiber side link signal will actively off, when fiber side signal lost or disconnect, copper side link signal will also actively off.
Reverse polarity protection	<ul style="list-style-type: none"> • Present
Overload current protection	<ul style="list-style-type: none"> • Present
Power Supply	<ul style="list-style-type: none"> • 4 pin terminal block with 12V-56V VDC Power Input • Relay: Relay switch for alarm
Alarm Relay Contact	<ul style="list-style-type: none"> • Relay outputs with current carrying capacity of 1 A @24VDC, • Relay in short circuit mode when power fails. in open circuit mode when power supply is connected
Power Consumption	<ul style="list-style-type: none"> • 3Watts @48VDC full load
Removable Terminal Block	<ul style="list-style-type: none"> • Provide 4 pin terminal block • Wire range: 0.34mm² to 2.5mm² • Solid wire (AWG):12-24/14-22 • Stranded wire (AWG): 12-24/14-22 • Torque:5lb-In/0.5Nm/0.56Nm • Wire Strip length: 7-8mm
Operating Temperature	<ul style="list-style-type: none"> • -40°C~75°C
Operating Humidity	<ul style="list-style-type: none"> • 5% to 95% (Non-condensing)

Storage Temperature	<ul style="list-style-type: none"> -40°C~85°C
Housing	<ul style="list-style-type: none"> Rugged Metal, IP30 Protection
Dimension	<ul style="list-style-type: none"> 103.5mmx32mmx81.5mm (LxWxD)
Installation mounting	<ul style="list-style-type: none"> DIN Rail and Wall Mount
Safety	<ul style="list-style-type: none"> IEC EN60950-1
EMC	<ul style="list-style-type: none"> CE, FCC, EN 55032/24
EMI	<ul style="list-style-type: none"> CISPR 32, FCC Part 15B Class A
EMS	<ul style="list-style-type: none"> IEC 61000-4-2 ESD: Contact: 6KV; Air: 8KV IEC 61000-4-4 EFT: Power: 2KV; Signal: 2KV IEC 61000-4-5 Surge: Power: 2KV; Signal: 2KV
Stability Testing	<ul style="list-style-type: none"> EN 60068-2-6 (Vibration), EN 60068-2-27(Shock), EN 60068-2-32(Free Fall)

Dimension



Application



Ordering information

RP-IMC801FP 10/100/1000M TX to 100/1000M SFP Industrial Media Converter