



RP-IMC3011FP

1-P 10/100/1000Base-T to 1-P 100/1000Base-X SFP slot Industrial PoE Media Converter

RP-IMC3011FP is a compact and robust industrial-grade PoE media converter designed for efficient and reliable Ethernet networking in demanding environments. It features 1-port 10/100/1000-T PoE and 1-port 100/1000Base-X SFP, compliant with IEEE802.3af/at PoE protocols, providing a maximum power consumption of 30W (PoE+). With convenient DIP switch configuration on the top panel, the device offers additional functionalities, including LFP, 100/1000M fiber port selection, 250m long-distance transmission support and PoE watchdog function.

RP-IMC3011FP excels in cost-effectiveness and ease of use while delivering essential features for industrial networking. Its wide range power input of 44-57VDC, redundant power design with polarity reverse/over-voltage protection, and robust IP40 compact housing with DIN-rail installation make it suitable for heavy industrial factories, transportation, oil & gas, chemical, IP surveillance, and processing automation sectors.

RP-IMC3011FP operates in the range from -40°C to 75°C and boasts high-level EMI/EMC capabilities, ensuring its reliability even in environments that surpass commercial product specifications. RP-IMC3011FP offers a combination of powerful features and durable design, making it the ideal choice for industrial applications requiring secure and efficient Ethernet connectivity in harsh environmental conditions.

Features

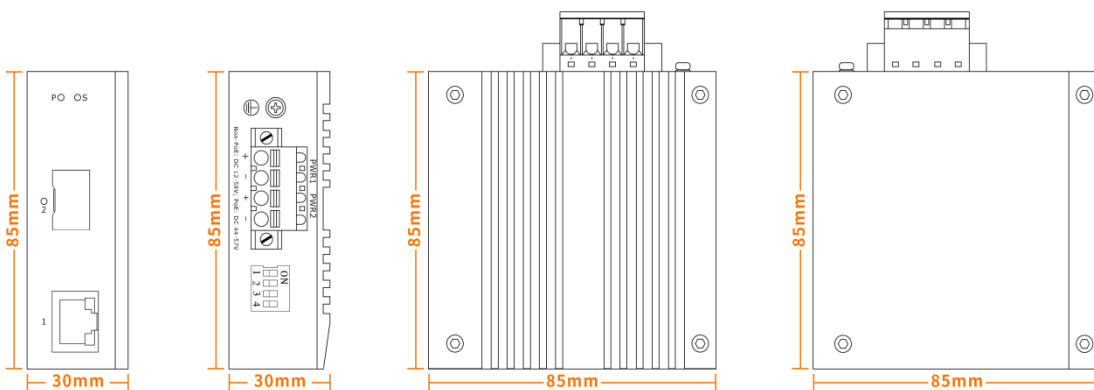
- 1*10/100/1000Base-T RJ45 PoE port, 1*100/1000Base-X SFP fiber port
- DC 44~57V input, redundant power supply with polarity reverse/over-voltage protection
- Complies with IEEE802.3af PoE and IEEE802.3at PoE+ standard
- Powerful DIP switch for setting LFP, Fiber port, distance and PoE watchdog
- Support 10K Bytes Jumbo frame and 1M large buffer
- Support 4KV surge protection and ESD: Air-15kV, Contact-8kV Protection
- IP40 fan-less and Din-rail hardware design with compact size
- Operation temperature: -40°C ~+75°C

Specifications

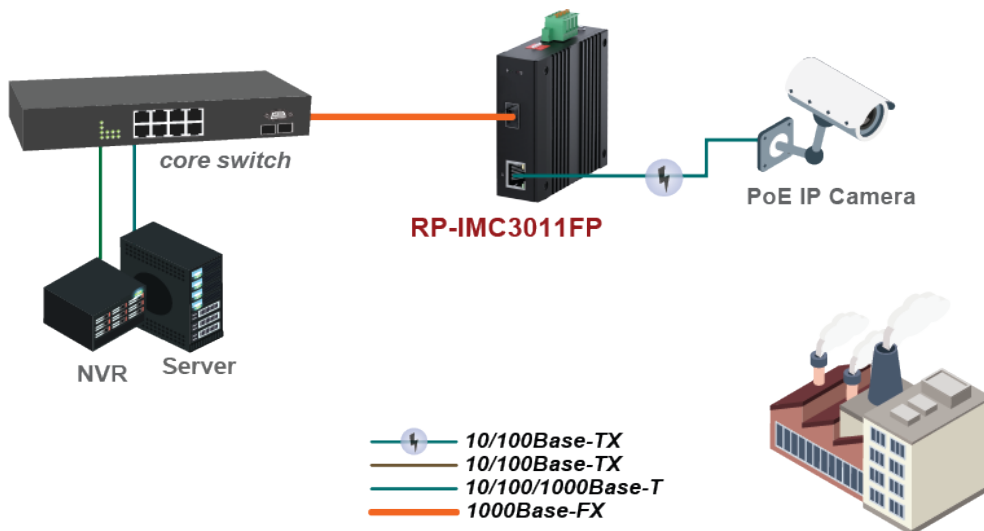
| | |
|------------------------------------|---|
| Standards | <ul style="list-style-type: none"> • IEEE 802.3 10Base-T Ethernet • IEEE 802.3u Fast Ethernet • IEEE 802.3ab Gigabit Ethernet • IEEE 802.3x Full-Duplex Flow Control • IEEE 802.3af Power-Over-Ethernet • IEEE 802.3at Power Over Ethernet plus PSE |
| Forwarding Capacity | <ul style="list-style-type: none"> • 2.97 Mpps |
| Switching Capacity | <ul style="list-style-type: none"> • 2G |
| MAC address table | <ul style="list-style-type: none"> • 8K |
| VLAN | <ul style="list-style-type: none"> • 4K |
| Buffer | <ul style="list-style-type: none"> • 1M bit |
| Jumbo Frame | <ul style="list-style-type: none"> • 10Kbytes |
| Forwarding delay | <ul style="list-style-type: none"> • <5us |
| Network Topology | <ul style="list-style-type: none"> • Star topology • Bus topology • Tree Topology |
| Interface | <ul style="list-style-type: none"> • 1 x 10/100/1000Base-T PoE, Auto-MDX/MIDX, Watchdog • 1 x 100/1000Base-X SFP slot |
| LED indicators | <ul style="list-style-type: none"> • P(Power indicator) (Green) • S(PoE usage indicator) (Red): Off: total PoE usage < rated 50%; Blinking: rated 50% < total PoE usage < rated 90%; On: total PoE usage ≥ rated 90% • SFP Lnk/Act (Green) • RJ-45: Lnk/Act (Green), PoE (Amber) |
| DIP Switch | <ul style="list-style-type: none"> • Dip1: LFP • Dip2: Fiber port 100/1000M selection • Dip3: 250m long distance mode • Dip4: PoE watchdog |
| Reverse polarity protection | <ul style="list-style-type: none"> • Present |
| Overload current protection | <ul style="list-style-type: none"> • Present |
| Power Input | <ul style="list-style-type: none"> • 44-57VDC, redundant power input, 0.75A Max |
| Power Consumption | <ul style="list-style-type: none"> • Full loading without PoE ≤ 2W • PoE power budget ≤ 30W |
| Removable Terminal Block | <ul style="list-style-type: none"> • Removable 4-pin terminal block |
| Environment | <ul style="list-style-type: none"> • Operating Temperature: -40°C ~ 75°C • Storage Temperature: -40°C ~ 85°C • Operating Humidity: 5% to 95% (Non-condensing) |
| Housing | <ul style="list-style-type: none"> • Aluminum , IP40 Protection |
| Dimension | <ul style="list-style-type: none"> • 85x30x85 mm (LxWxD) |
| Installation method | <ul style="list-style-type: none"> • DIN Rail mounting |
| Safety | <ul style="list-style-type: none"> • LVD (EN62368-1) |
| EMC | <ul style="list-style-type: none"> • CE, FCC, EN 55032/35 |

| | |
|------------------|---|
| EMI | <ul style="list-style-type: none"> • CISPR 32, FCC Part 15B Class A |
| EMS | <ul style="list-style-type: none"> • Surge protection of power: IEC 61000-4-5 Level 3 (4KV/2KV) (8/20us) • Surge protection of Ethernet ports: IEC 61000-4-5 Level 3 (4KV/2KV) (10/700us) • DIP: IEC 61000-4-11 Level 3 (10V) • ESD: IEC 61000-4-2 Level 4 (8K/15K) |
| Vibration | <ul style="list-style-type: none"> • EN 60068-2-6 |
| Shock | <ul style="list-style-type: none"> • EN 60068-2-27 |
| Free Fall | <ul style="list-style-type: none"> • EN 60068-2-32 |

Dimension



Application



Ordering information

RP-IMC3011FP 1-P 10/100/1000Base-T to 1-P 100/1000Base-X SFP slot Industrial PoE Media Converter

REPOTEC CO., LTD.

3F., No.258, Liancheng Rd., Zhonghe District., New Taipei City 235, Taiwan
 TEL: 886-2-8227-1888 FAX: 886-2-8227-1818